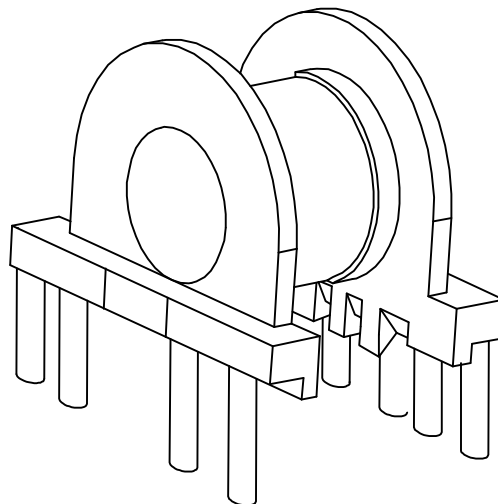
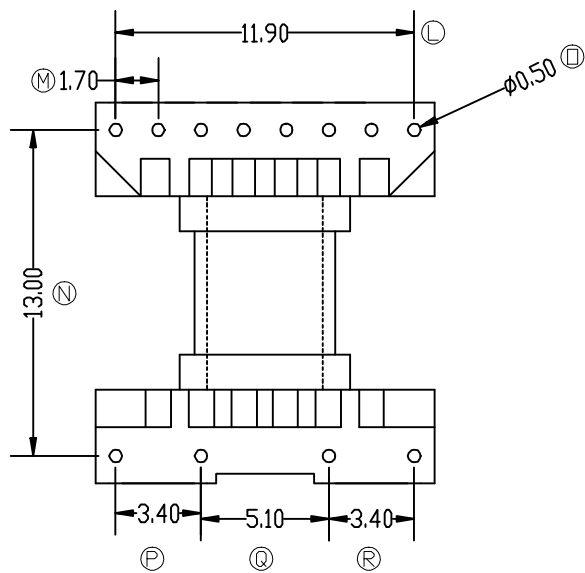
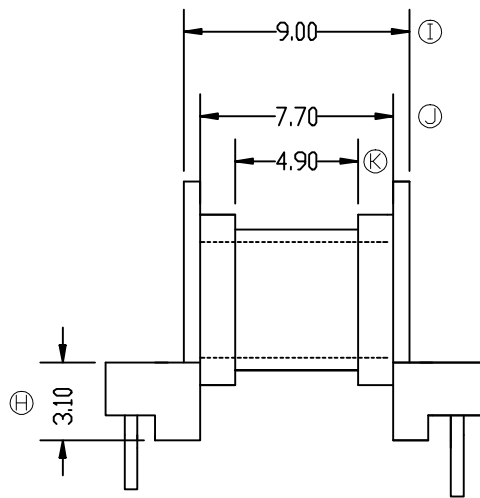
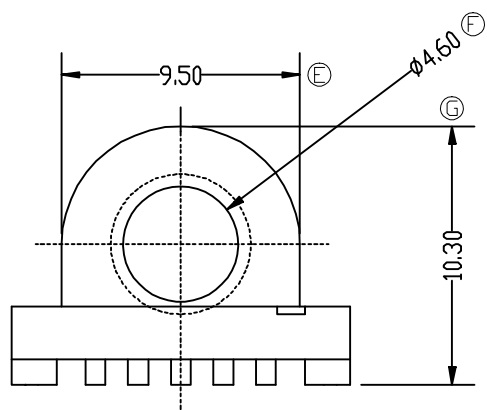
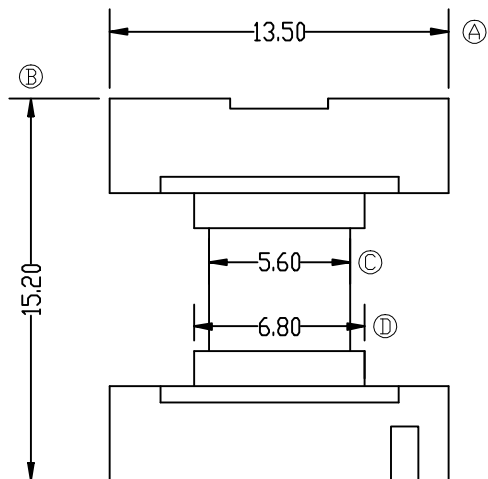


ZX-13Y



项次	REVISIONS	REC.	DATE	项次	REVISIONS	REC.	DATE
1	增加了绕线区档墙		2025.07.21	4			
2				5			
3				6			

DRAWN & DRAFTED BY	LIU WEI QIANG	TOLERANCES		ANGLE:	TITLE: EP-13 (4+8P)		
		0<L≤4 ±0.1	pin pitch	±1°			
CHECKED & APPROVED BY	MA BU JIAN	4<L≤16 ±0.2	±0.2	UNIT:	BOBBIN MATERIAL:	PHENOLIC	UL REC.
		16<L≤63 ±0.3		MM	PIN MATERIAL:	CP WIRE	UL 94V-0
智信电子塑胶有限公司 ZHI XIN ELECTRONICS PLASTIC CO., LTD. TEL:0769-86389901-2 FAX:0769-86389903				SCALE:	PIN TENSION LOAD:	0.8KG MIN	
				DATE:	2009.10.08	DRAWING NO.	ZX-13Y