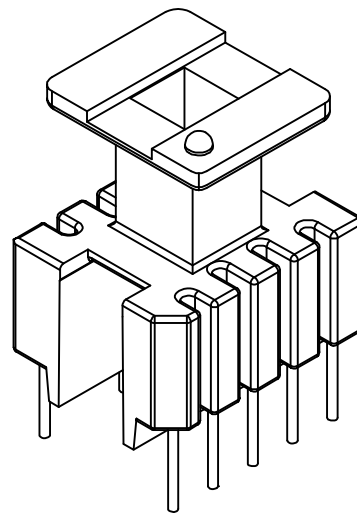
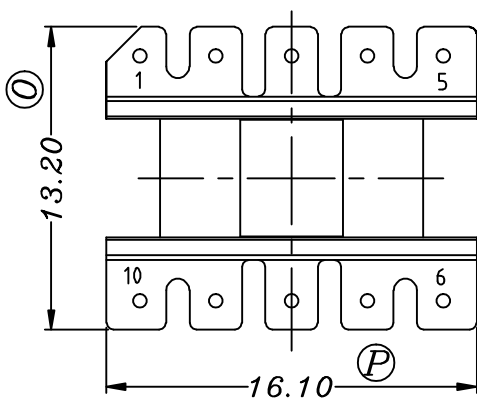
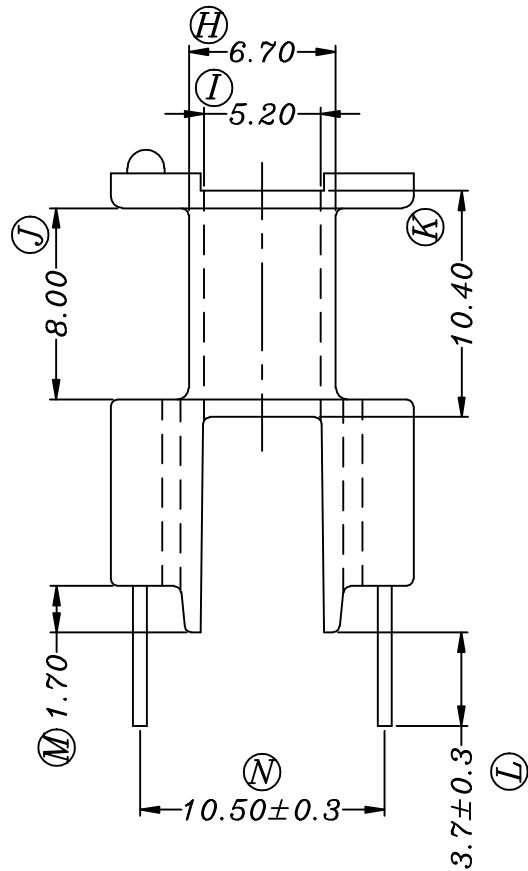
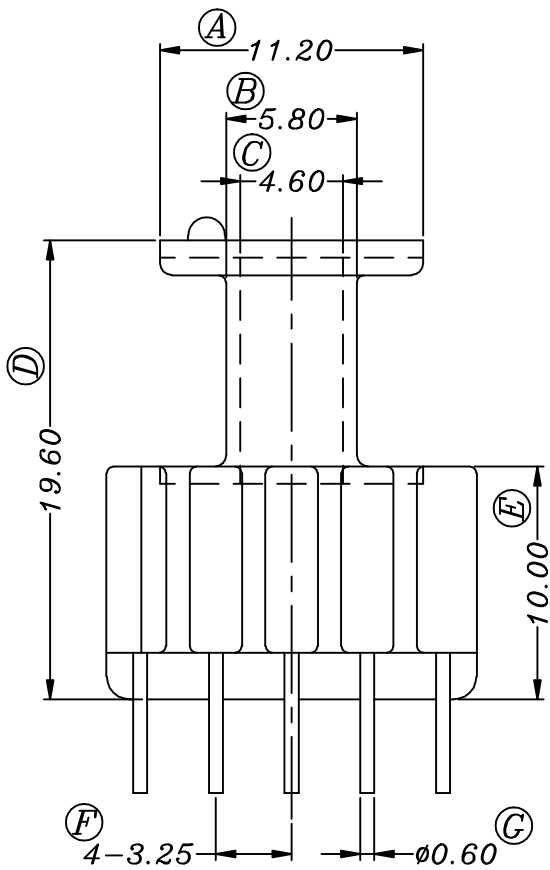


ZX-16D1



项次	REVISIONS REC.	DATE	项次	REVISIONS REC.	DATE
1			4		
2			5		
3			6		
DRAWN & DRAFTED BY	LIU WEI QIANG	TOLERANCES	ANGLE:	TITLE: EE-16 (5+5P)	
CHECKED & APPROVED BY	MA BU JIAN	0<L<4 ±0.1 pin pitch	±1°	BOBBIN MATERIAL:	UL REC. UL 94V-0
		4<L<16 ±0.2	UNIT: MM	PIN MATERIAL:	PIN TENSION 1.0KG MIN
		16<L<63 ±0.3 ±0.2	SCALE:	DATE:	DRAWING NO.
智信电子塑胶有限公司 ZHI XIN ELECTRONICS PLASTIC CO., LTD. TEL:0769-86389901-2 FAX:0769-86389903				2010. 11. 15	ZX-16D1
				REV.	A01