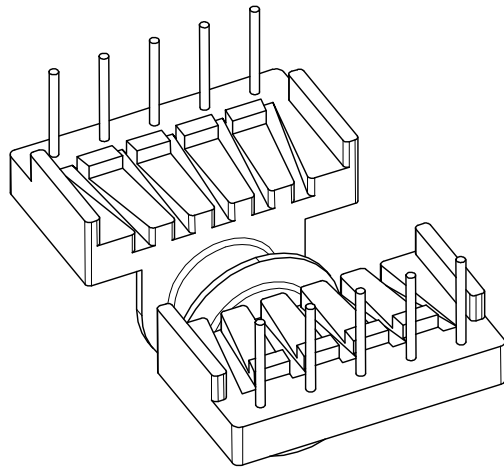
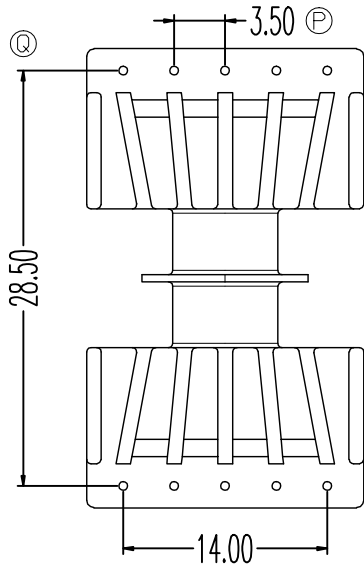
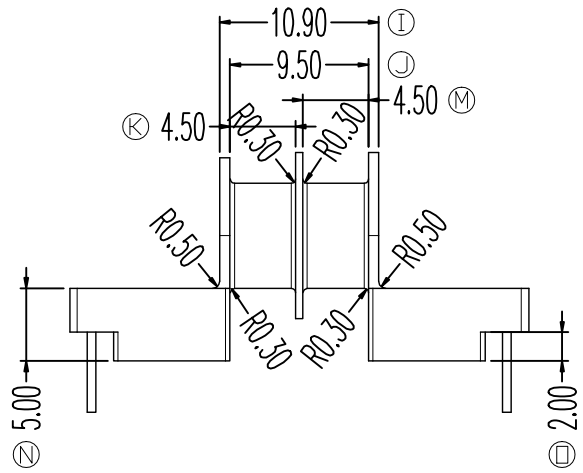
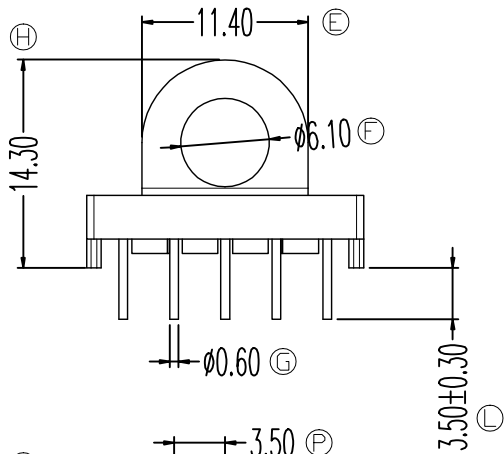
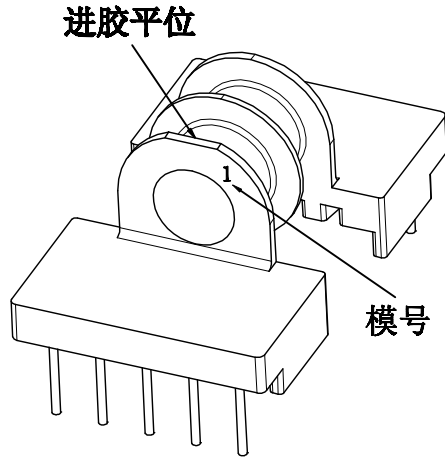
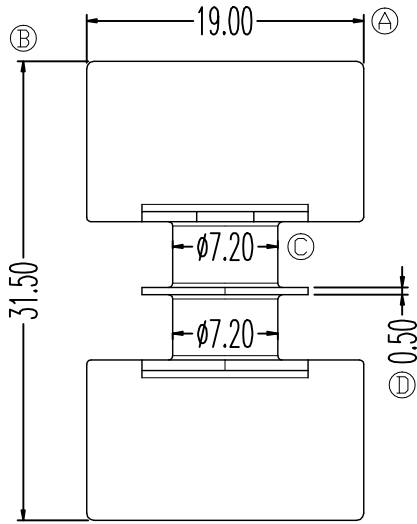


ZX-17K



项次	REVISIONS	REC.	DATE	项次	REVISIONS	REC.	DATE
1				4			
2				5			
3				6			
DRAWN & DRAFTED BY	LIU WEI QIANG		TOLERANCES	ANGLE:	TITLE: TH2693-T3 变压器骨架		
CHECKED & APPROVED BY	LIN JUN		0<L≤4 ±0.1 4<L≤16 ±0.2 16<L≤63 ±0.3	±1°	BOBBIN MATERIAL:	PM-9630	UL REC. UL 94V-0
智信电子塑胶有限公司				UNIT:	CP WIRE	PIN TENSION LOAD: 0.8KG MIN	
ZXE ZHI XIN ELECTRONICS PLASTIC CO., LTD.				SCALE:	DATE:	DRAWING NO.	REV.
TEL:0769-86389901-2 FAX:0769-86389903					2025.11.28	ZX-17K	A01