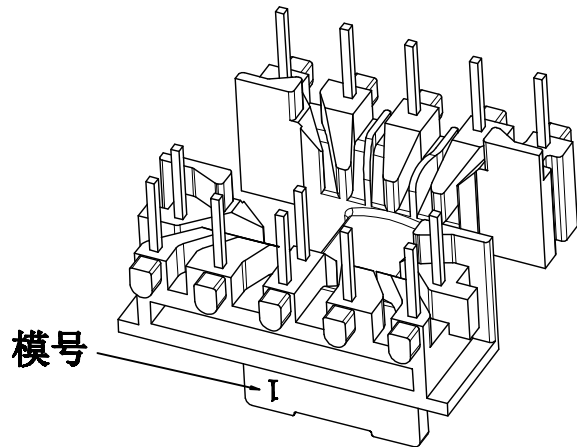
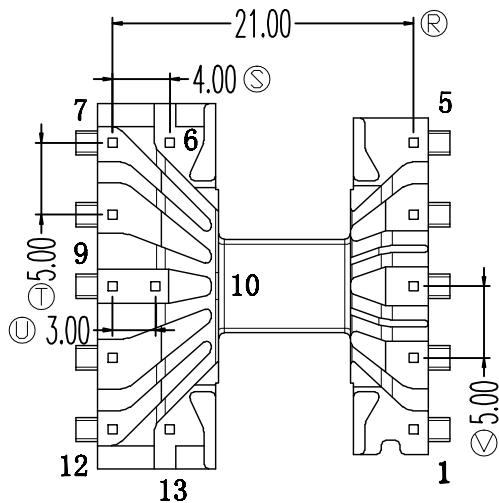
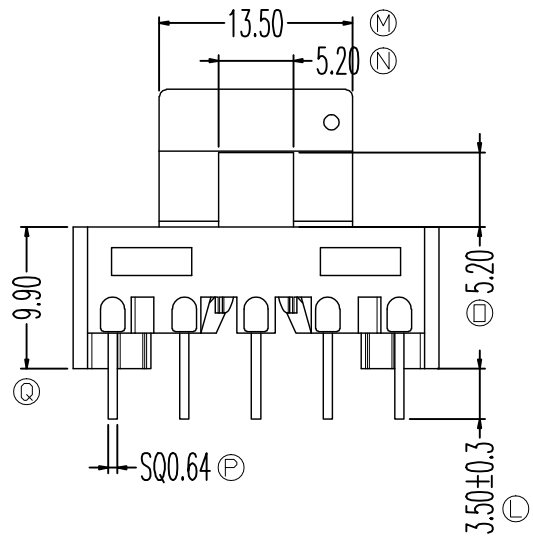
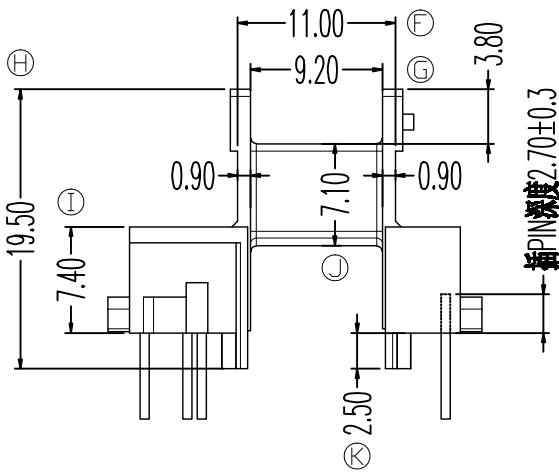
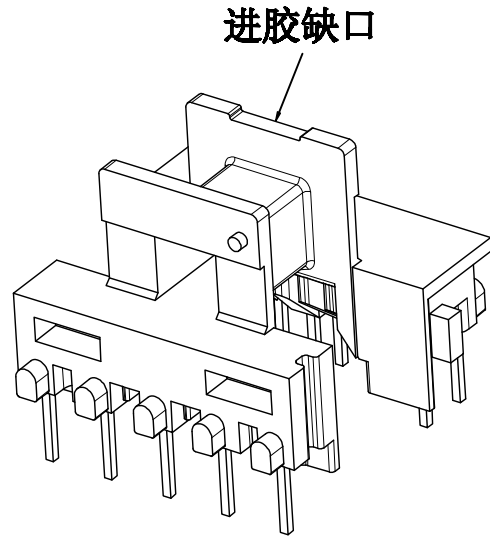
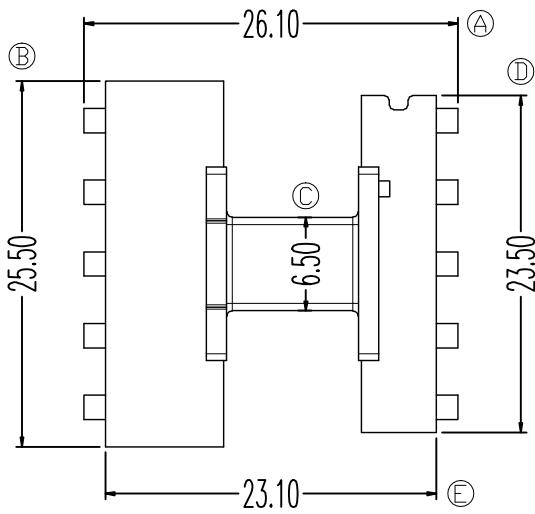


ZX-19BT



项次	REVISIONS	REC.	DATE	项次	REVISIONS	REC.	DATE
1				4			
2				5			
3				6			
DRAWN & DRAFTED BY	LIU WEI QIANG		TOLERANCES	ANGLE:	TITLE: EE-1926 BOBBIN		
CHECKED & APPROVED BY	LIN JUN		0<L≤4 ±0.1 4<L≤16 ±0.2 16<L≤63 ±0.3	pin pitch ±0.2	UNIT:	MM	BOBBIN MATERIAL: PHENOLIC
智信电子塑胶有限公司				SCALE:	PIN MATERIAL: CP WIRE	UL REC. UL 94V-0	PIN TENSION LOAD: 1.0KG MIN
ZXE ZHI XIN ELECTRONICS PLASTIC CO., LTD.				DATE:	2026.01.06	DRAWING NO. ZX-19BT	REV. A01
TEL:0769-86389901-2 FAX:0769-86389903							