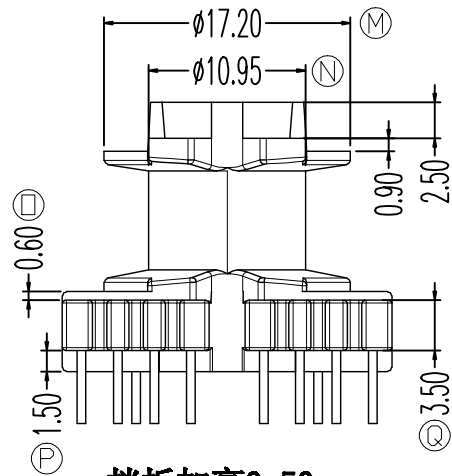
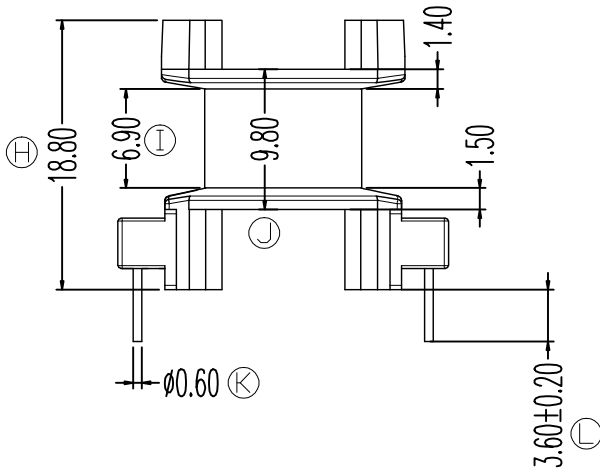
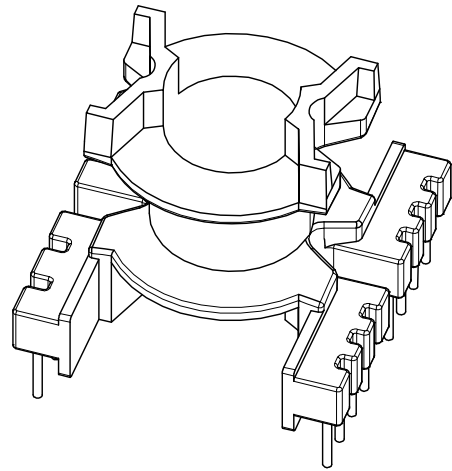
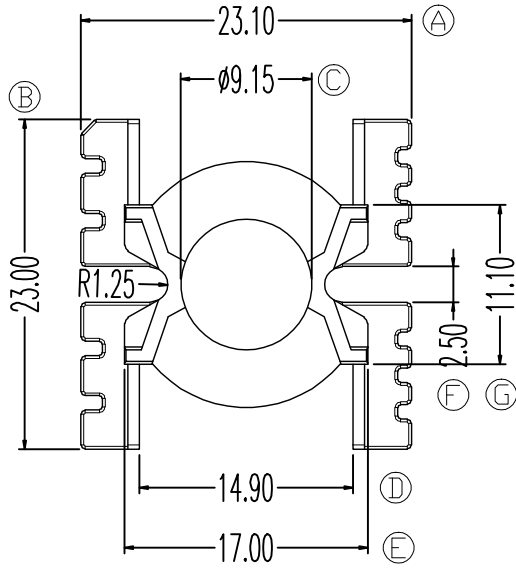
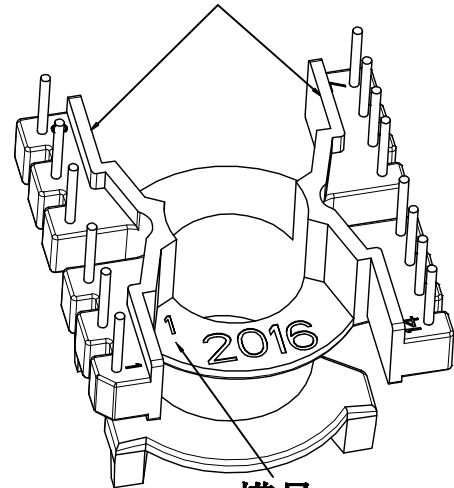
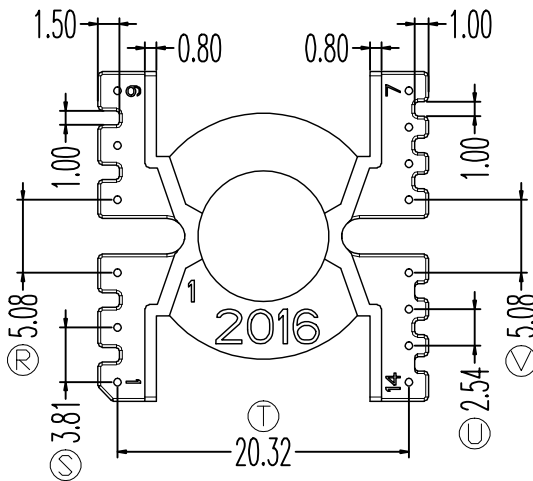


ZX-20DD



挡板加高0.50mm



模号

项次	REVISIONS	REC.	DATE	项次	REVISIONS	REC.	DATE
1	挡板加高0.50mm, (P)尺寸由1.00改为1.50mm		2025.12.18	4			
2	(H)尺寸由18.30改为18.80mm		2025.12.18	5			
3				6			
DRAWN & DRAFTED BY		LIU WEI QIANG		TOLERANCES		ANGLE: ±1°	
CHECKED & APPROVED BY		LIN JUN		0<L≤4 ±0.1		TITLE: PQ-2016(6+8P)	
				4<L≤16 ±0.2		BOBBIN MATERIAL: PHENOLIC	
				16<L≤63 ±0.3		UL REC. UL 94V-0	
				pin pitch ±0.2		PIN MATERIAL: CP WIRE	
				UNIT: MM		PIN TENSION LOAD: 1.0KG MIN	
				SCALE:		DATE: 2025.12.18	
				DATE: 2025.12.18		DRAWING NO. ZX-20DD	
				REV. A02			



智信电子塑胶有限公司

ZHI XIN ELECTRONICS PLASTIC CO., LTD.
TEL:0769-86389901-2 FAX:0769-86389903

