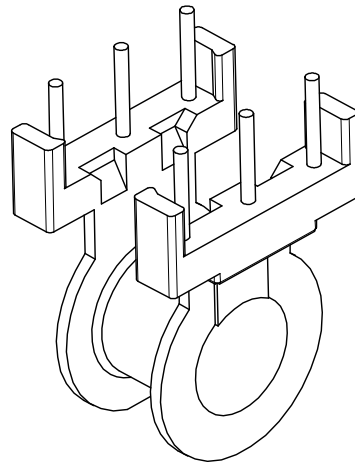
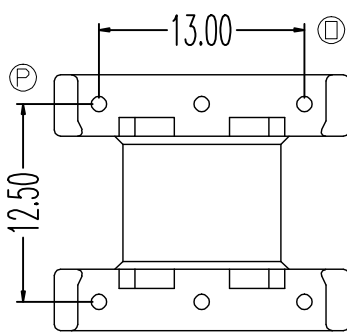
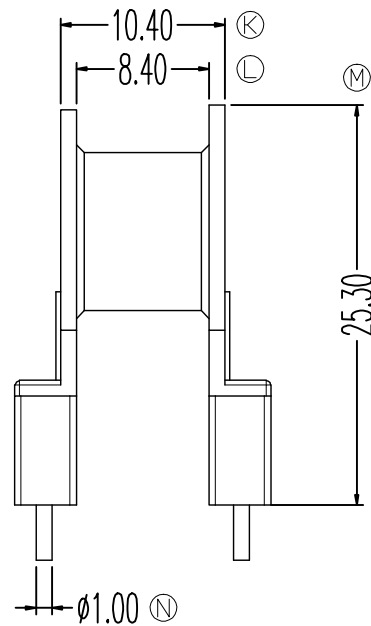
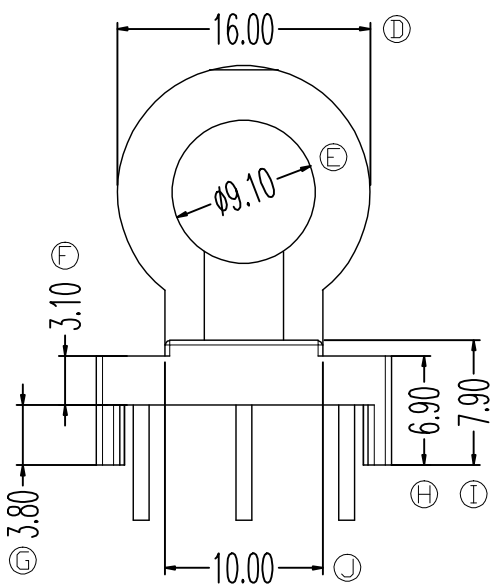
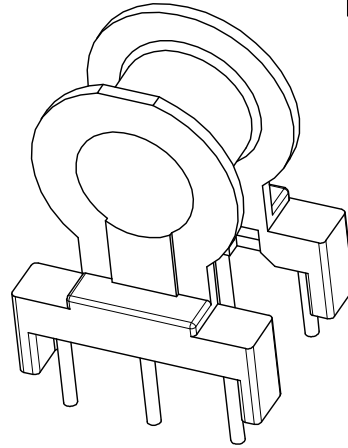
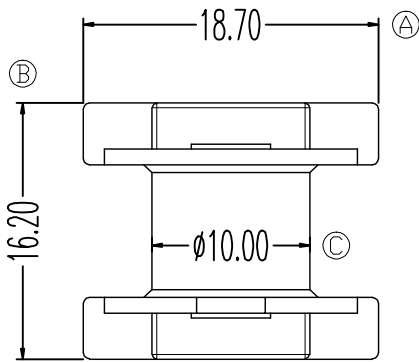


ZX-20DE



项次	REVISIONS	REC.	DATE	项次	REVISIONS	REC.	DATE
1				4			
2				5			
3				6			
DRAWN & DRAFTED BY	LIU WEI QIANG		TOLERANCES	ANGLE:	TITLE: EQ-20(3+3P)		
CHECKED & APPROVED BY	LIN JUN		0<L≤4 ±0.1 4<L≤16 ±0.2 16<L≤63 ±0.3	±1°	BOBBIN MATERIAL:	PHENOLIC	UL REC. UL 94V-0
			pin pitch ±0.2	UNIT:	CP WIRE	PIN TENSION LOAD:	1.2KG MIN
				MM			
				SCALE:			
智信电子塑胶有限公司 ZHI XIN ELECTRONICS PLASTIC CO., LTD. TEL:0769-86389901-2 FAX:0769-86389903				DATE:	2022.04.19	DRAWING NO.	ZX-20DE
						REV.	A01