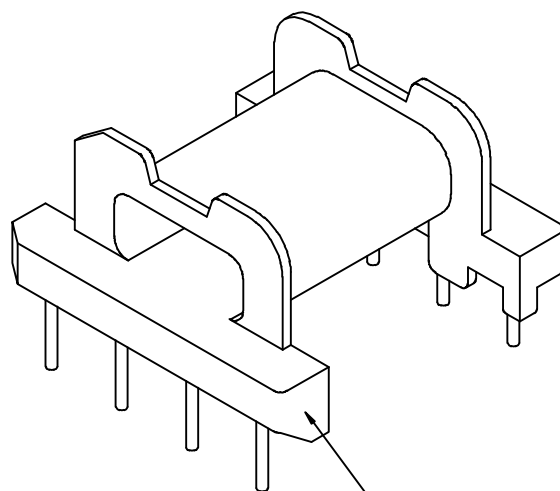
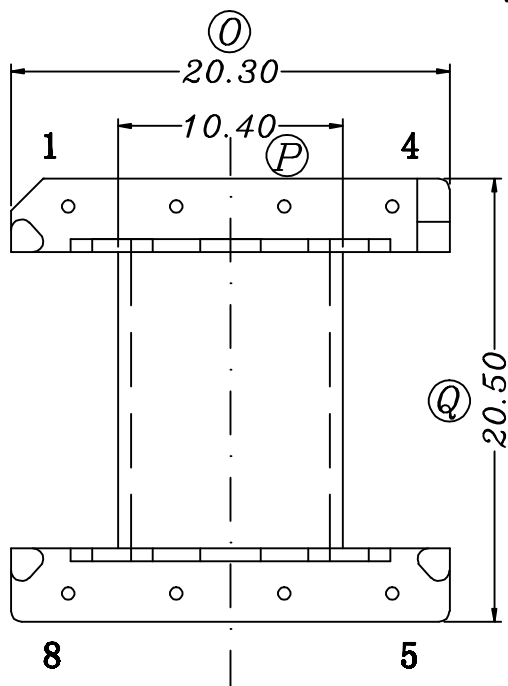
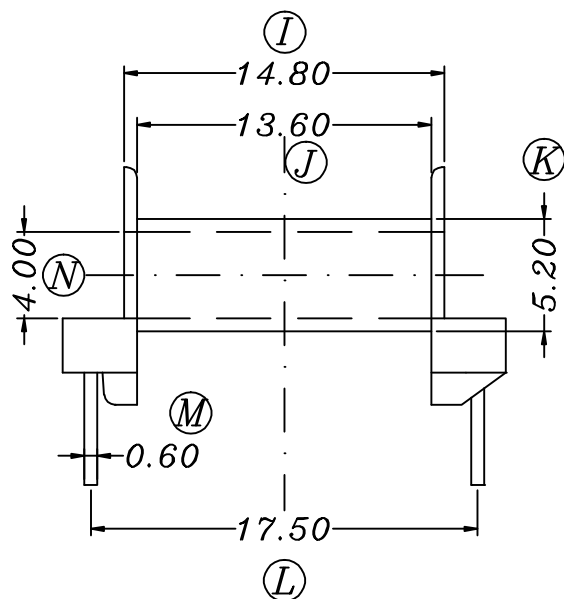
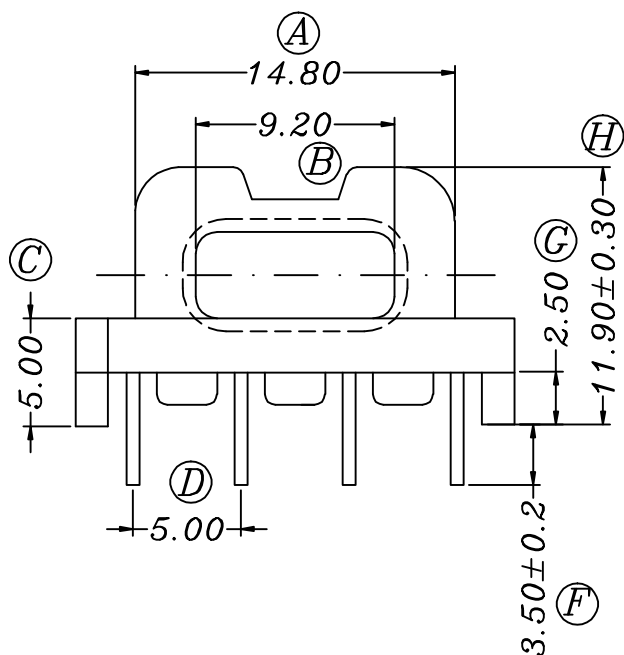


ZX-20T1



PIN 4 增加防呆

备注：因插针时极易反向，现PIN 4 处凸点加大防呆。

项次	REVISIONS REC.	DATE	项次	REVISIONS REC.	DATE
1	⑧ 尺寸修改公差由11.90改为11.90±0.30	2024.08.06	4		
2	PIN 4 增加防呆	2025.10.15	5		
3			6		
DRAWN & DRAFTED BY		LIU WEI QIANG		TITLE: EFD-20(4+4P)	
CHECKED & APPROVED BY		MA BU JIAN		BOBBIN MATERIAL: PHENOLIC	
		TOLERANCES		UL REC. UL 94V-0	
		0<L≤4 ±0.1		PIN TENSION LOAD: 0.8KG MIN	
		4<L≤16 ±0.2		PIN MATERIAL: CP WIRE	
		16<L≤63 ±0.3		DATE: 2024.08.06	
		pin pitch ±0.2		DRAWING NO. ZX-20T1	
		UNIT: MM		REV. A03	
		SCALE:			
		ANGLE: ±1°			
		DATE: 2024.08.06			
		DRAWING NO. ZX-20T1			
		REV. A03			



智信电子塑胶有限公司
ZHI XIN ELECTRONICS PLASTIC CO., LTD.
TEL:0769-86389901-2 FAX:0769-86389903

