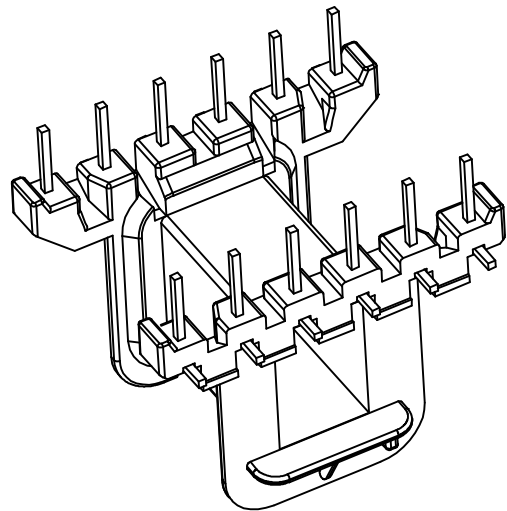
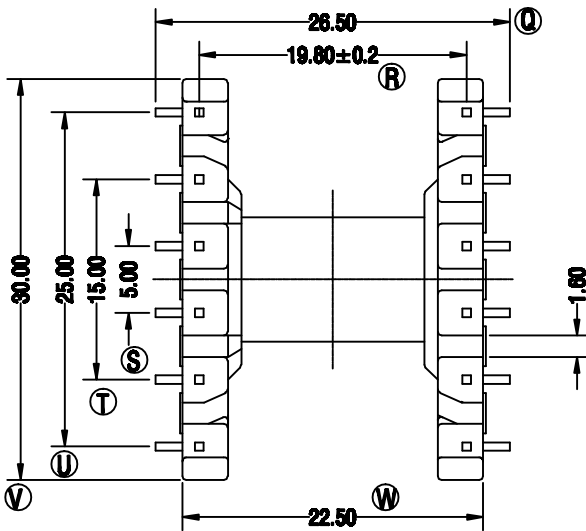
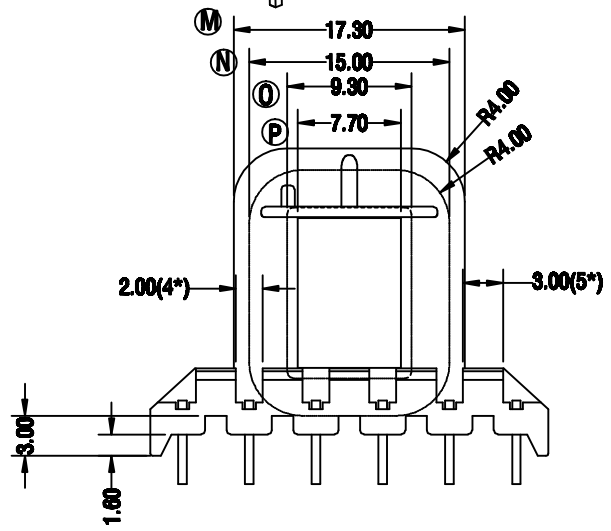
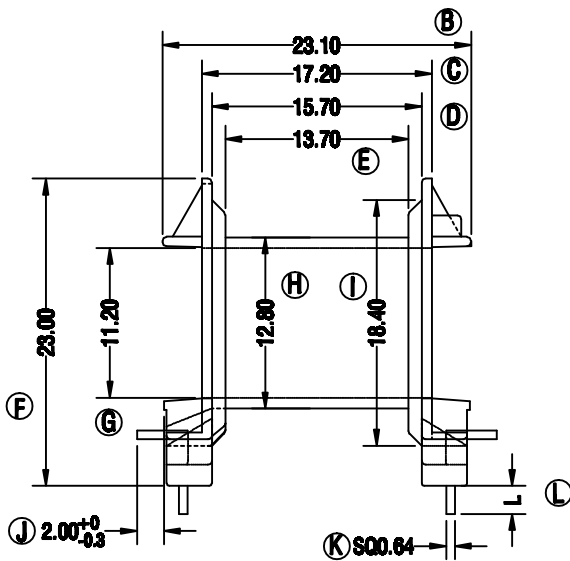
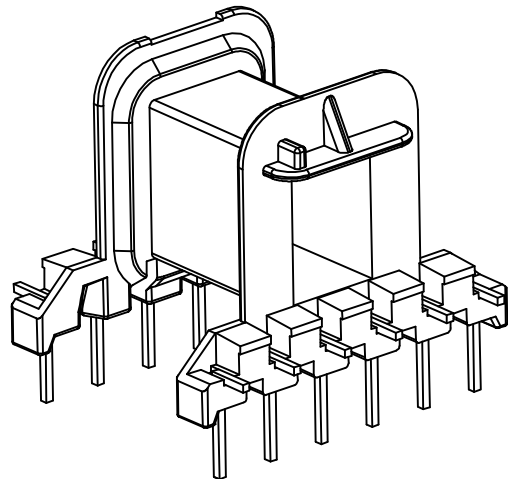
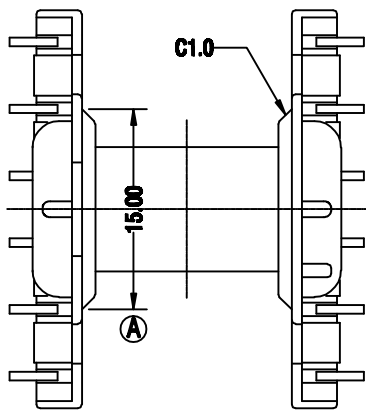


ZX-25AF2



项次	REVISIONS	REC.	DATE	项次	REVISIONS	REC.	DATE
1				4			
2				5			
3				6			
DRAWN & DRAFTED BY	LIU WEI QIANG		TOLERANCES		ANGLE:	TITLE: EF-25(6+6P)	
CHECKED & APPROVED BY	MA BU JIAN		0<L≤4 ±0.1	pin pitch	±1°	BOBBIN MATERIAL: PLASTIC	
			4<L≤16 ±0.2	±0.2	UNIT:	MM	UL REC. UL 94V-0
			16<L≤63 ±0.3		SCALE:	PIN MATERIAL: CP WIRE	PIN TENSION LOAD: 1.2KG MIN
<b>智信电子塑胶有限公司</b> ZHI XIN ELECTRONICS PLASTIC CO., LTD. TEL:0769-86389901-2 FAX:0769-86389903				DATE: 2025.11.21		DRAWING NO. ZX-25AF2	
						REV. A01	