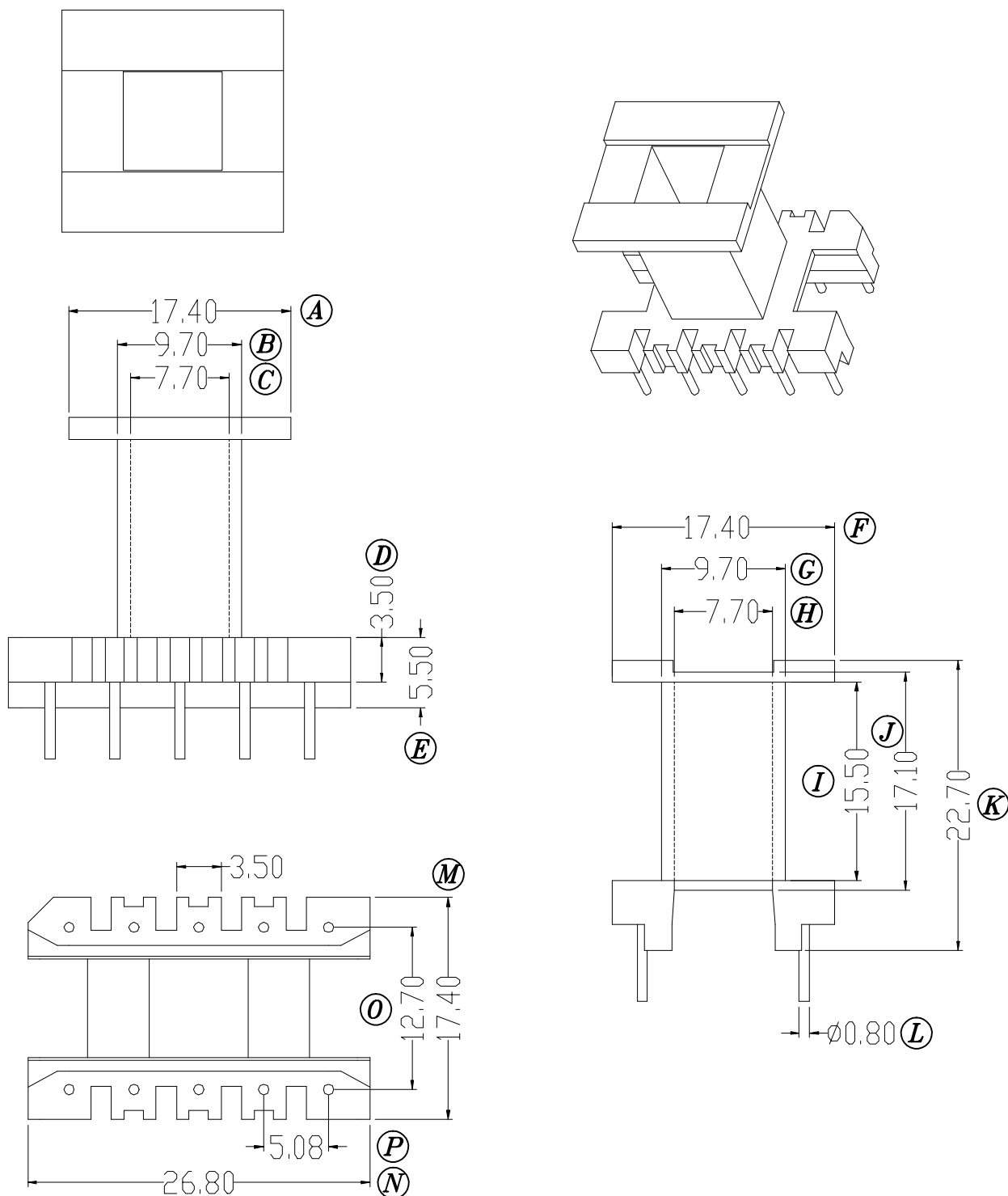


ZX-25BY-1



项次	REVISIONS	REC.	DATE	项次	REVISIONS	REC.	DATE
1				4			
2				5			
3				6			

DRAWN & DRAFTED BY	LIU WEI QIANG	TOLERANCES		ANGLE:	TITLE: EF-25(5+5P)		
	CHECKED & APPROVED BY	MA BU JIAN	0 < L ≤ 4 ±0.1	pin pitch ±0.2	±1°	BOBBIN MATERIAL:	UL REC. UL 94V-0
4 < L ≤ 16 ±0.2			UNIT:		PHENOLIC		
			16 < L ≤ 63 ±0.3		MM	PIN MATERIAL:	PIN TENSION LOAD: 1.0KG MIN
SCALE:						CP WIRE	
DATE: 2020.09.16				DRAWING NO. ZX-25BY-1		REV. A01	



智信电子塑胶有限公司
ZHI XIN ELECTRONICS PLASTIC CO., LTD.
 TEL:0769-86389901-2 FAX:0769-86389903

