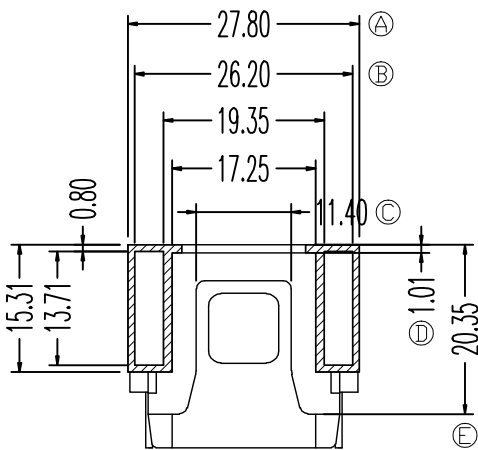
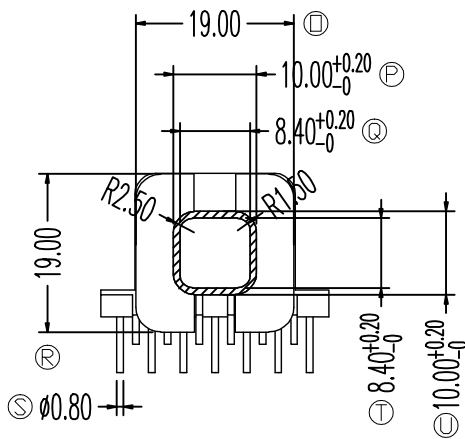
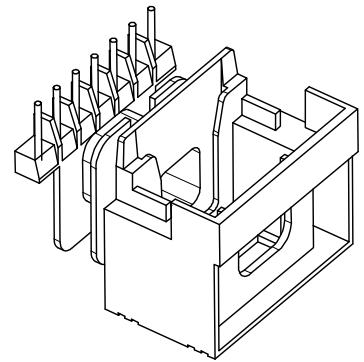
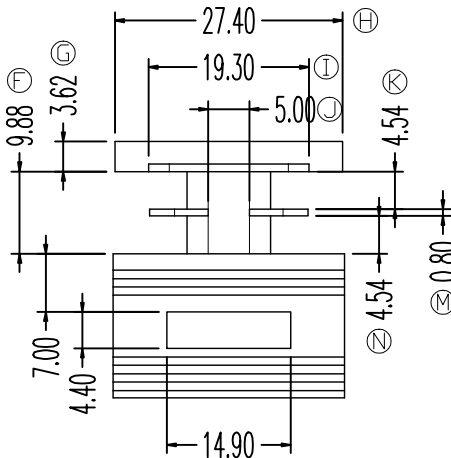


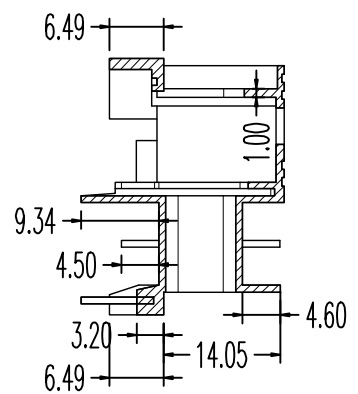
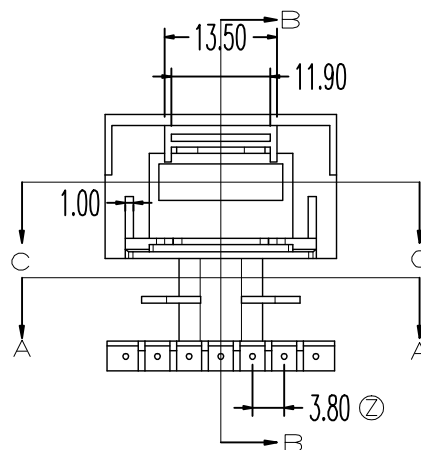
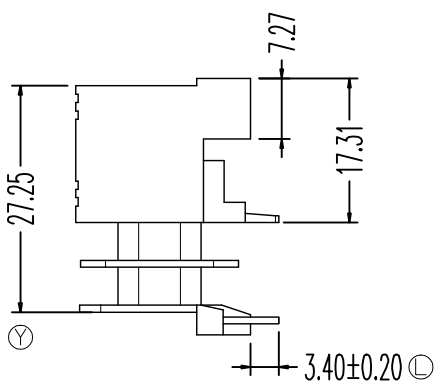
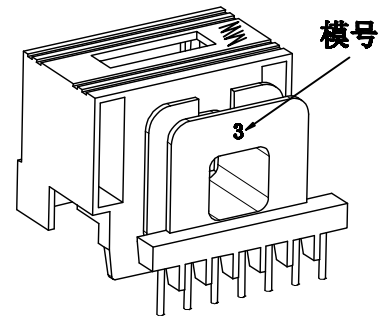
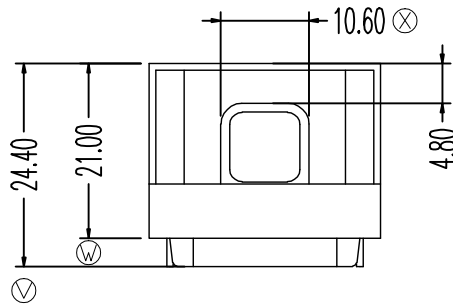
ZX-25CI



SECTION C-C



SECTION A-A



SECTION B-B

项次	REVISIONS	REC.	DATE	项次	REVISIONS	REC.	DATE		
1				4					
2				5					
3				6					
DRAWN & DRAFTED BY		LIU WEI QIANG		TOLERANCES		ANGLE: ±1°		TITLE: HEL-2530A	
CHECKED & APPROVED BY		LIN JUN		0<L≤4 ±0.1 4<L≤16 ±0.2 16<L≤63 ±0.3		pin pitch ±0.2		UNIT: MM	
智信电子塑胶有限公司				SCALE:		PIN MATERIAL: CP WIRE		BOBBIN MATERIAL: PHENOLIC	
ZXE ZHI XIN ELECTRONICS PLASTIC CO., LTD.				DATE: 2019.08.28		DRAWING NO. ZX-25CI		UL REC. UL 94V-0	
TEL:0769-86389901-2 FAX:0769-86389903				REV. A01		PIN TENSION LOAD: 1.0KG MIN			