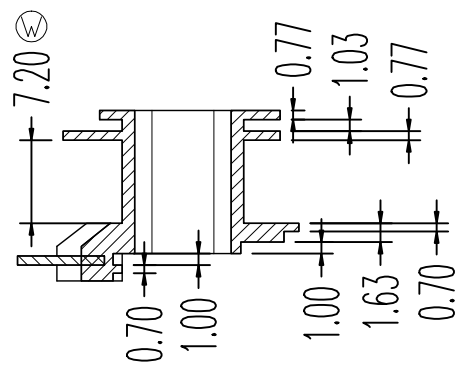
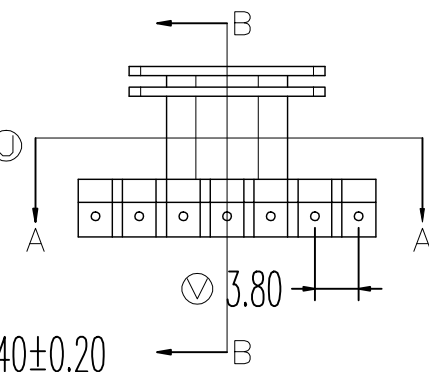
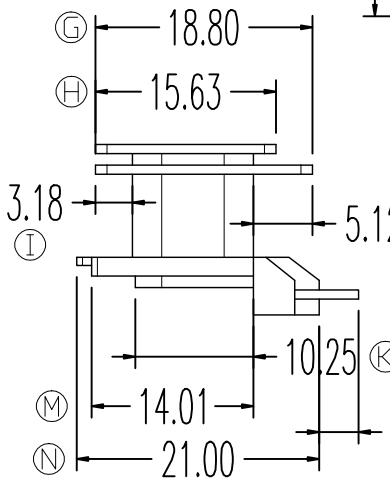
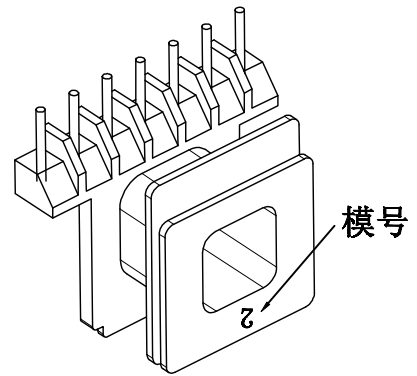
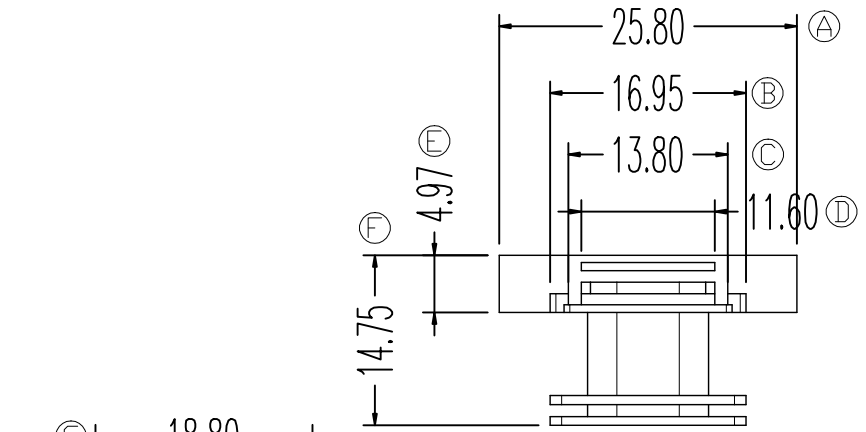
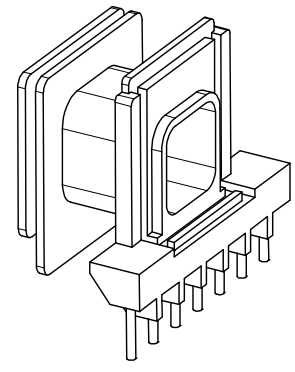
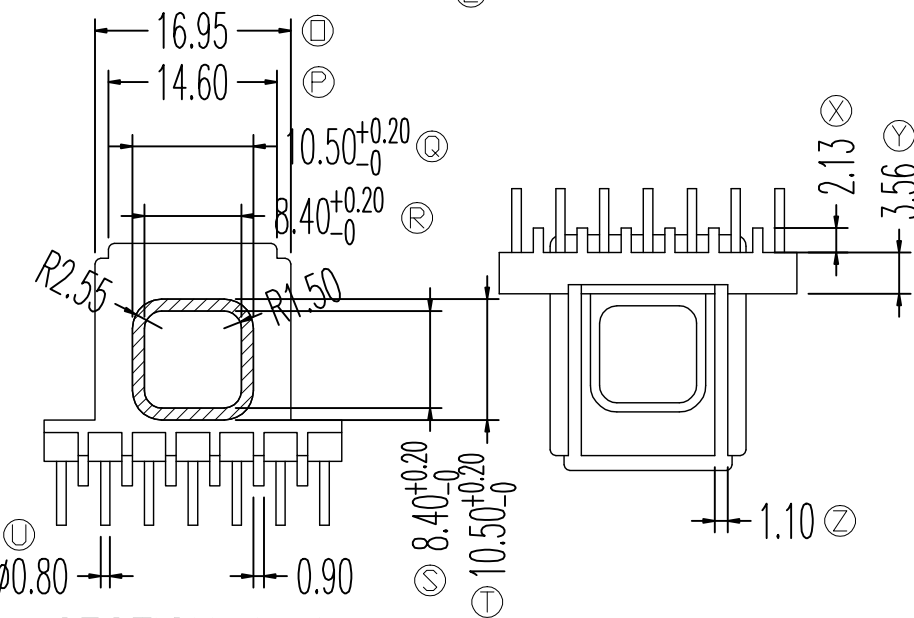


ZX-25CI-1



SECTION B-B



SECTION A-A

项次	REVISIONS	REC.	DATE	项次	REVISIONS	REC.	DATE
1				4			
2				5			
3				6			
DRAWN & DRAFTED BY	LIU WEI QIANG		TOLERANCES	ANGLE:	TITLE: HEL-2530B		
CHECKED & APPROVED BY	LIN JUN		0 < L ≤ 4 ± 0.1 4 < L ≤ 16 ± 0.2 16 < L ≤ 63 ± 0.3	± 1°	BOBBIN MATERIAL:	PHENOLIC	UL REC. UL 94V-0
智信电子塑胶有限公司				UNIT:	CP WIRE	PIN TENSION LOAD: 1.0KG MIN	
ZXE ZHI XIN ELECTRONICS PLASTIC CO., LTD.				SCALE:	DATE:	DRAWING NO.	REV.
TEL: 0769-86389901-2 FAX: 0769-86389903					2019.08.28	ZX-25CI-1	A01