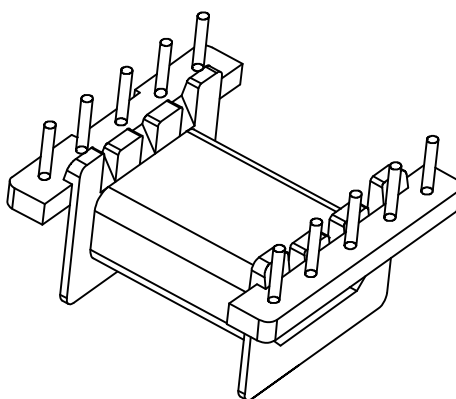
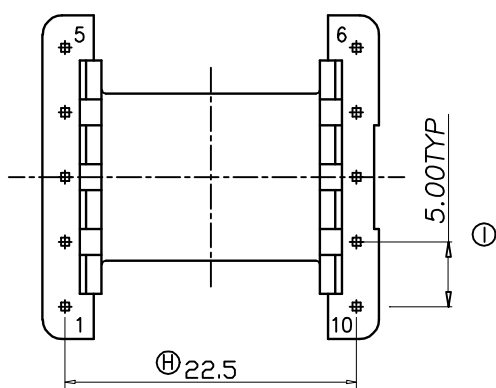
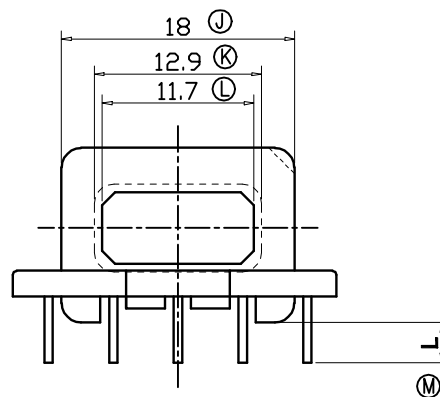
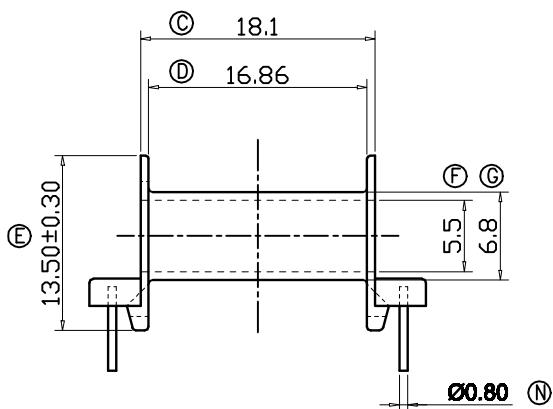
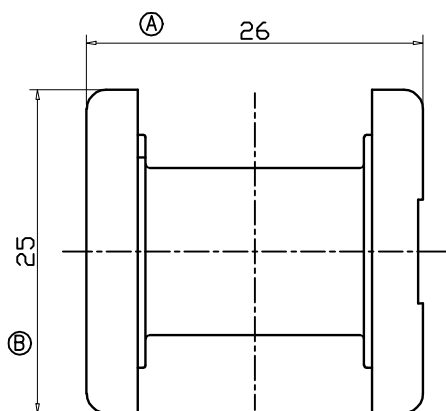


# ZX-25K3



项次	REVISIONS REC.	DATE	项次	REVISIONS REC.	DATE
1	⑤ 尺寸公差改为13.50±0.30mm	2025.07.18	4		
2			5		
3			6		

DRAWN & DRAFTED BY LIU WEI QIANG	TOLERANCES		ANGLE: ±1°	TITLE: <b>EFD-25(5+5P)</b>		
	0<L≤4 ±0.1	pin pitch ±0.2		UNIT: MM	BOBBIN MATERIAL: PM-9820	UL REC. UL 94V-0
CHECKED & APPROVED BY MA BU JIAN	4<L≤16 ±0.2			SCALE:	PIN MATERIAL: CP WIRE	PIN TENSION LOAD: 1.2KG MIN
<b>智信电子塑胶有限公司</b> ZHI XIN ELECTRONICS PLASTIC CO., LTD. TEL:0769-86389901-2 FAX:0769-86389903			DATE: 2006.09.05	DRAWING NO. ZX-25K3	REV. A02	