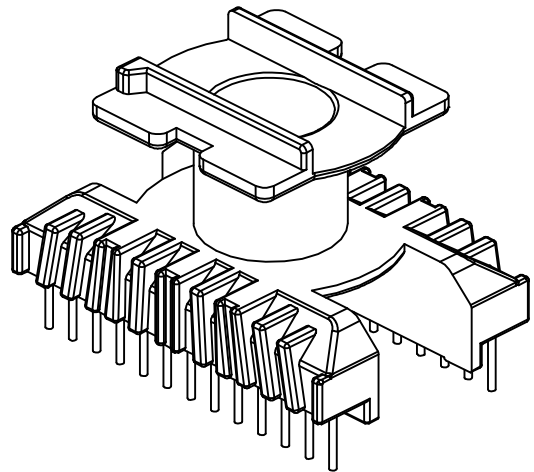
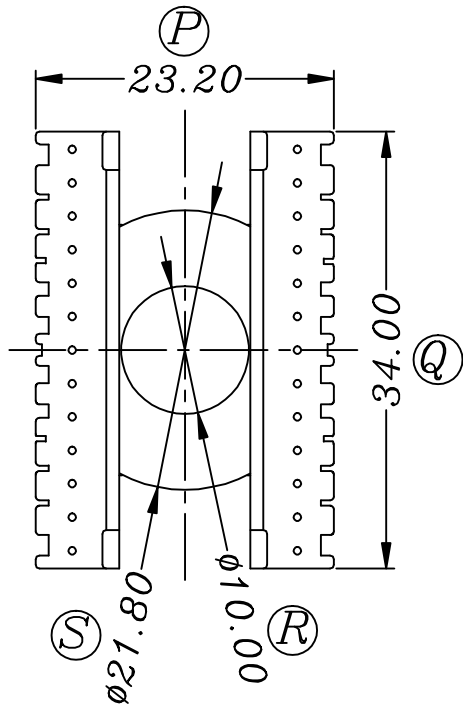
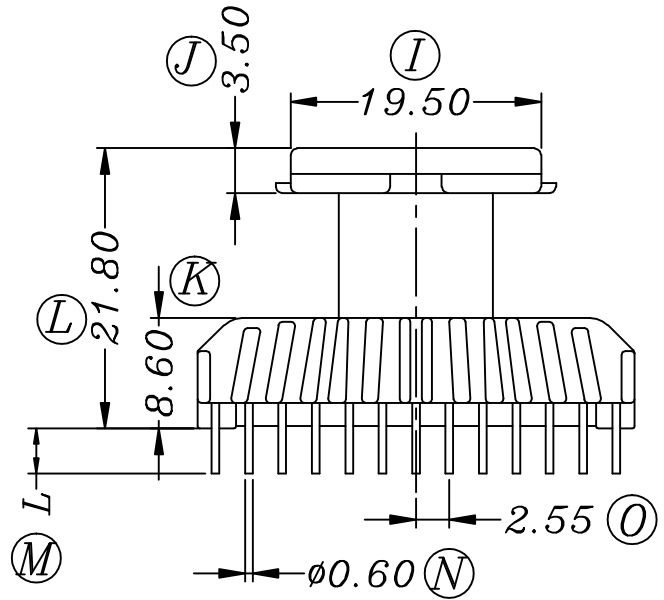
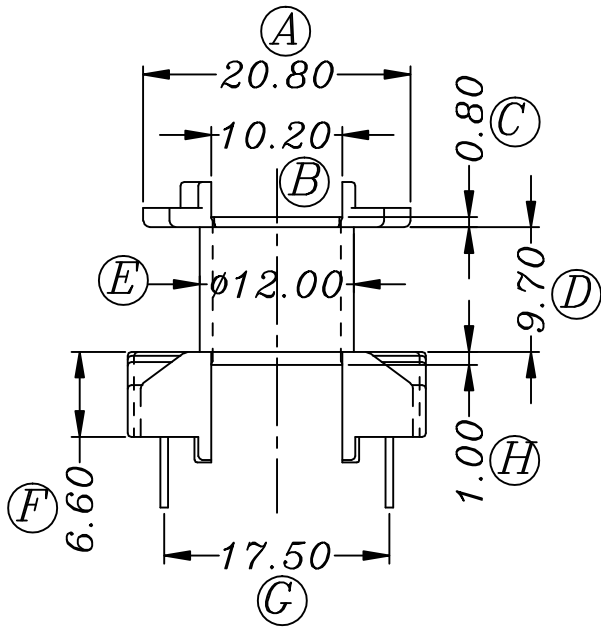


ZX-28AA



项次	REVISIONS	REC.	DATE	项次	REVISIONS	REC.	DATE
1				4			
2				5			
3				6			
DRAWN & DRAFTED BY	LIU WEI QIANG		TOLERANCES		ANGLE: ±1°		
CHECKED & APPROVED BY	MA BU JIAN		Q ≤ 4 ±0.10	PIN PITBH ±0.2	TITLE: ER-28 (13+13P)		UL REC. UL 94V-0
			4L ≤ 16 ±0.20		UNIT: MM	BOBBIN MATERIAL: PHENOLIC	PIN TENSION LOAD: 1.0KG MIN
			18 ≤ 63 ±0.30		SCALE:	PIN MATERIAL: CP WIRE	
<b>智信电子塑胶有限公司</b> ZHI XIN ELECTRONICS PLASTIC CO., LTD. TEL:0769-86389901-2 FAX:0769-86389903				DATE: 2012.09.12		DRAWING NO. ZX-28AA	
						REV. A01	