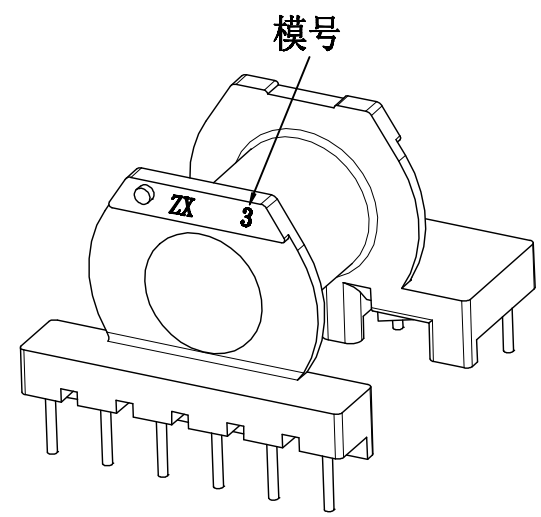
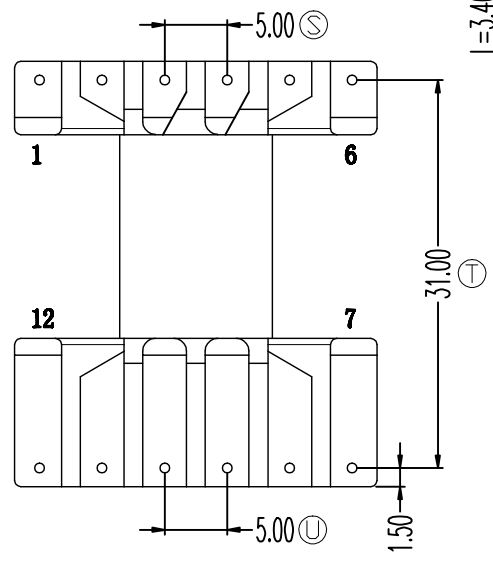
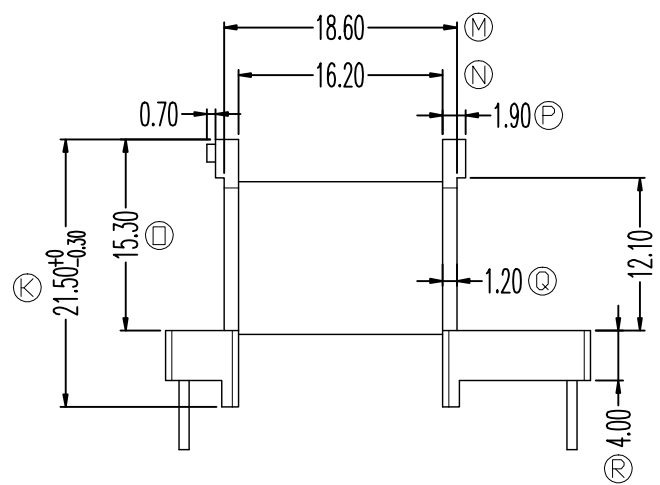
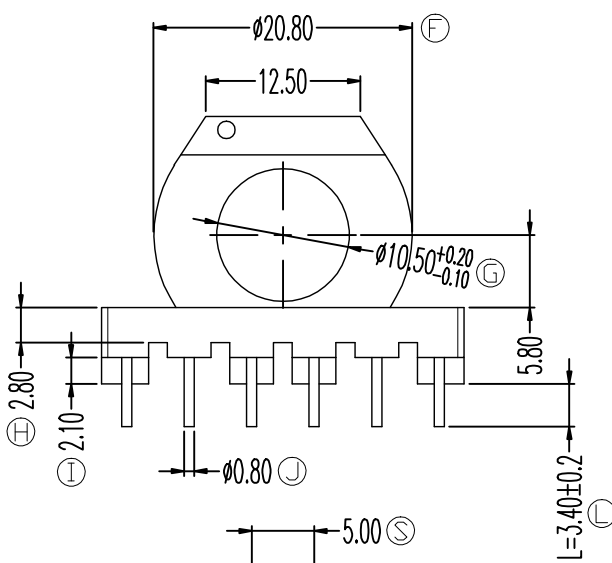
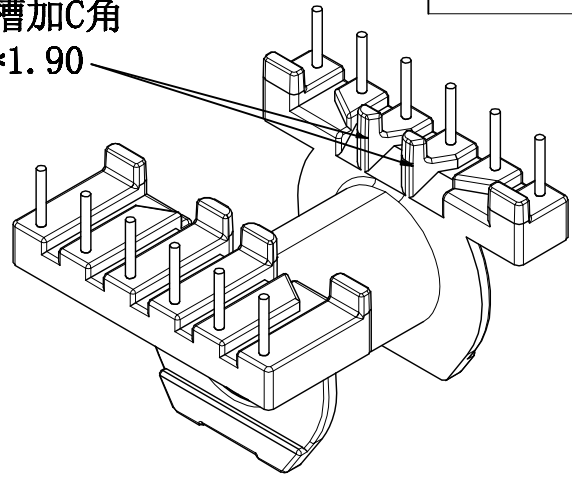
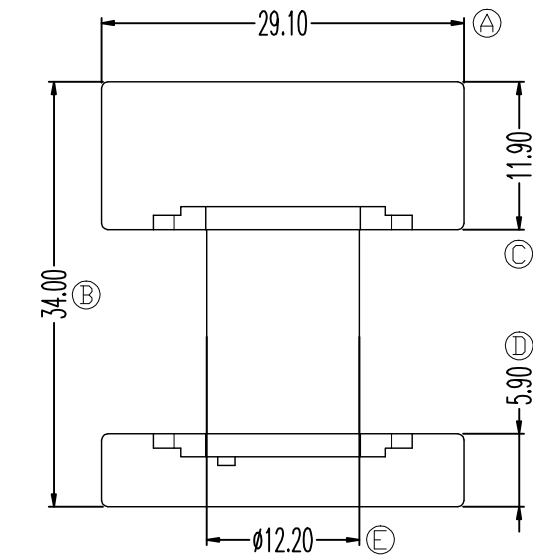


ZX-28AY-1

过线槽加C角
3.50*1.90



| 项次 | REVISIONS | REC. | DATE | 项次 | REVISIONS | REC. | DATE |
|---|---------------|------|--------------|--------|--------------------|-------------|-------------------|
| 1 | | | | 4 | | | |
| 2 | | | | 5 | | | |
| 3 | | | | 6 | | | |
| DRAWN & DRAFTED BY | LIU WEI QIANG | | TOLERANCES | ANGLE: | TITLE: ER-28(6+6P) | | |
| CHECKED & APPROVED BY | LIN JUN | | 0<L≤4 ±0.1 | ±1° | BOBBIN MATERIAL: | PHENOLIC | |
| | | | 4<L≤16 ±0.2 | UNIT: | MM | UL REC. | UL 94V-0 |
| | | | 16<L≤63 ±0.3 | SCALE: | PIN MATERIAL: | CP WIRE | PIN TENSION LOAD: |
| 智信电子塑胶有限公司 ZHI XIN ELECTRONICS PLASTIC CO., LTD. TEL:0769-86389901-2 FAX:0769-86389903 | | | | DATE: | 2025.11.18 | DRAWING NO. | ZX-28AY-1 |
| | | | | | | REV. | A01 |