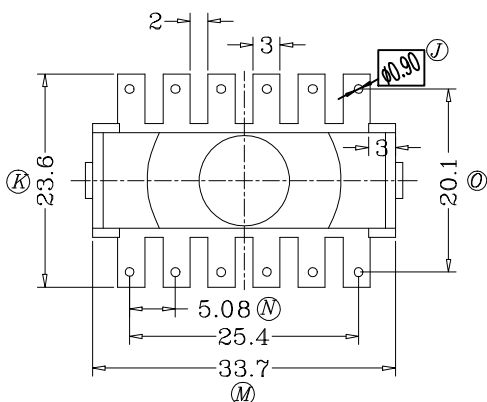
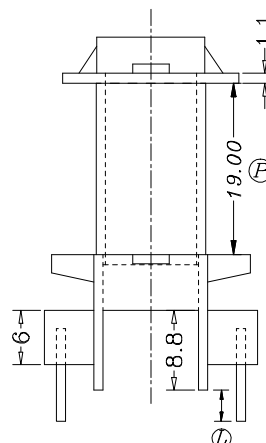
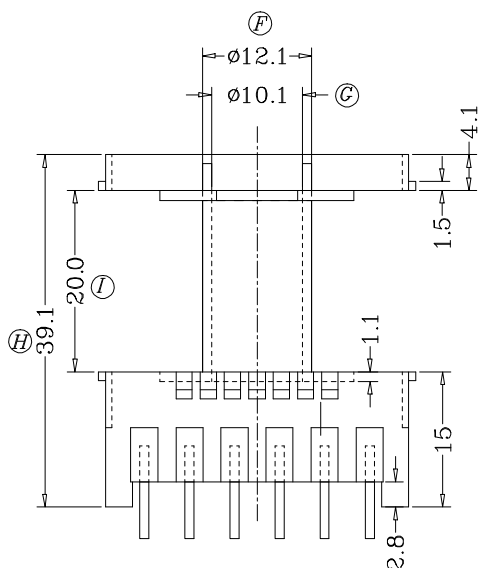
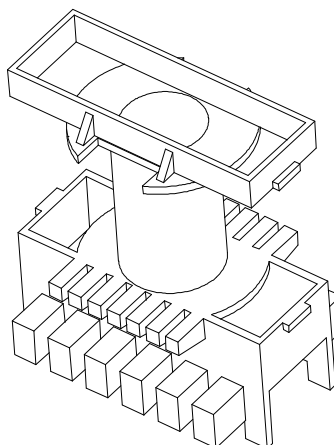
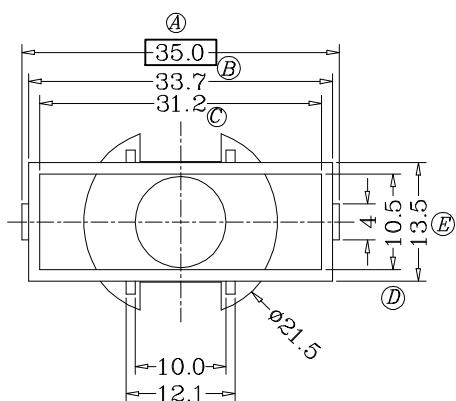


ZX-29H



项次	REVISIONS	REC.	DATE	项次	REVISIONS	REC.	DATE
1	Ⓐ	尺寸由35.20改为35.00±0.30	2026.01.12	4			
2	ⓙ	尺寸PIN针由φ1.00改为φ0.90	2026.01.12	5			
3				6			
DRAWN & DRAFTED BY	LIU WEI QIANG		TOLERANCES	ANGLE:	TITLE: ETD-29(6+6P)		
CHECKED & APPROVED BY	ZHANG YONG		0<L≤4 ±0.1 4<L≤16 ±0.2 16<L≤63 ±0.3	UNIT:	BOBBIN MATERIAL:	UL REC. UL 94V-0	
			pin pitch ±0.2	MM	PHENOLIC		
				SCALE:	PIN MATERIAL:	PIN TENSION LOAD: 1.2KG MIN	
					CP WIRE		
					DATE: 2018.12.08	DRAWING NO. ZX-29H	REV. A02



智信电子塑胶有限公司
ZHI XIN ELECTRONICS PLASTIC CO., LTD.
TEL:0769-86389901-2 FAX:0769-86389903

