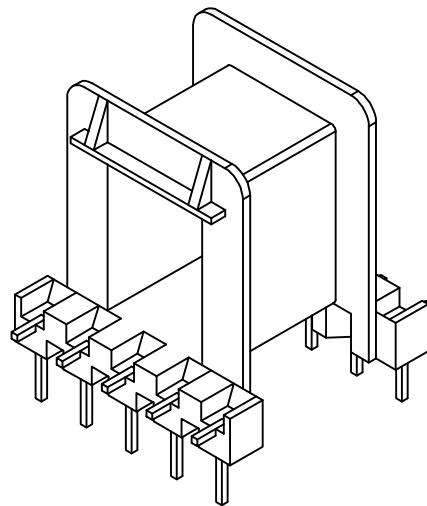
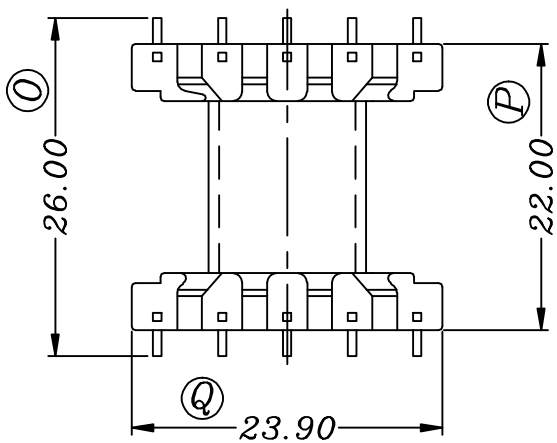
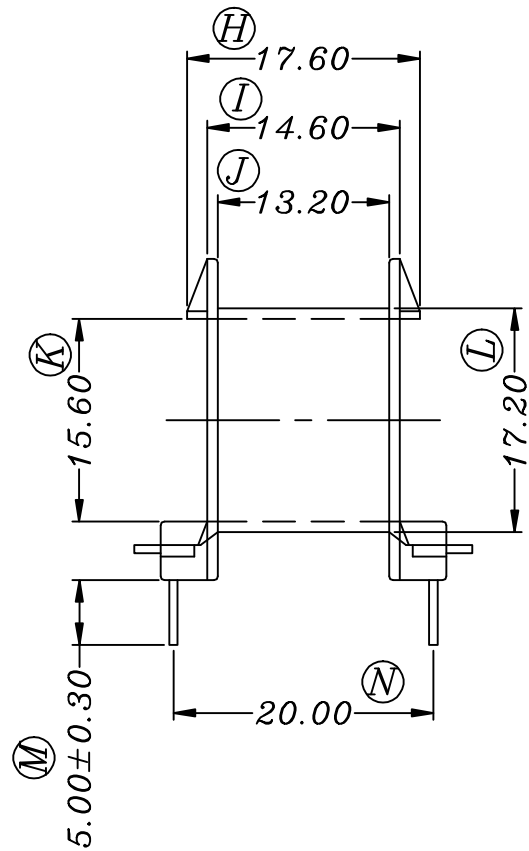
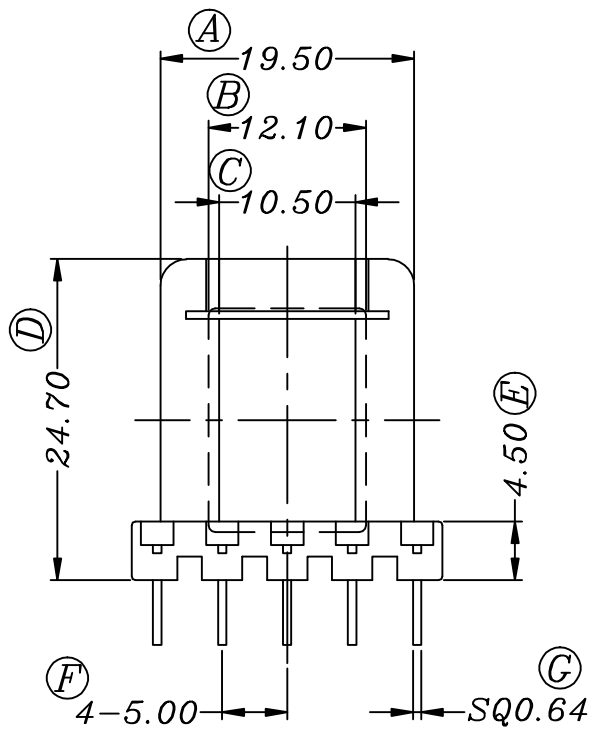


ZX-30B1



项次	REVISIONS	REC.	DATE	项次	REVISIONS	REC.	DATE
1	I尺寸由14.80改为14.60mm		2020.10.20	4			
2				5			
3				6			
DRAWN & DRAFTED BY	LIU WEI QIANG		TOLERANCES	ANGLE:	TITLE: EI-30(5+5P)		
CHECKED & APPROVED BY	LIN JUN		0<L≤4 ±0.1 4<L≤16 ±0.2 16<L≤63 ±0.3	UNIT:	BOBBIN MATERIAL:	UL REC. UL 94V-0	
智信电子塑胶有限公司			pin pitch ±0.2	MM	PBT/PA66	PIN TENSION LOAD: 1.0KG MIN	
ZXE ZHI XIN ELECTRONICS PLASTIC CO., LTD.			SCALE:		PIN MATERIAL:	CP WIRE	
TEL:0769-86389901-2 FAX:0769-86389903					DATE:	DRAWING NO.	REV.
					2020.10.20	ZX-30B1	A02