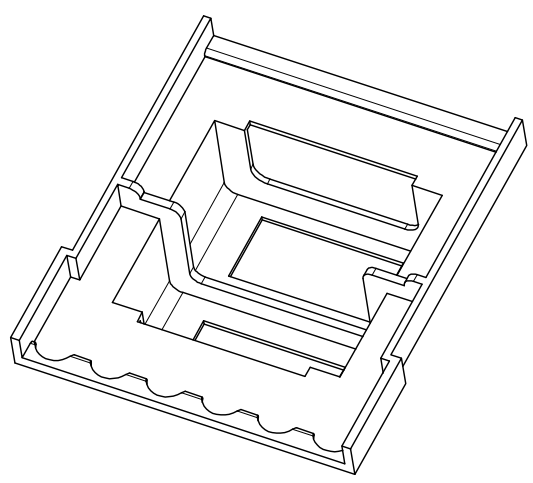
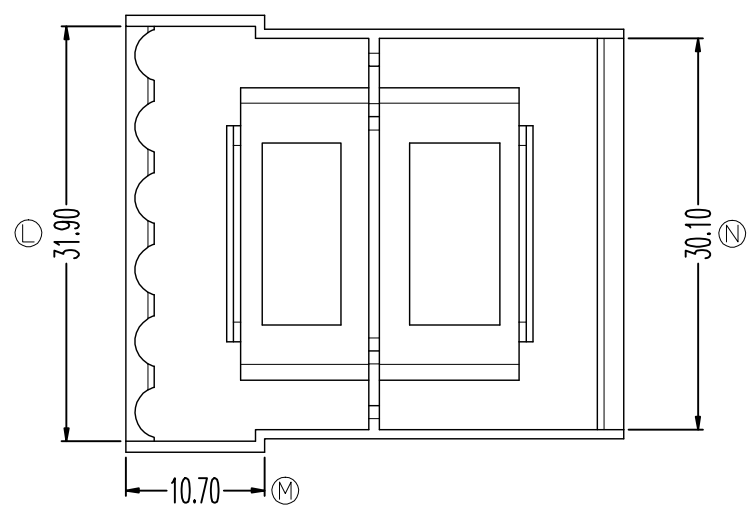
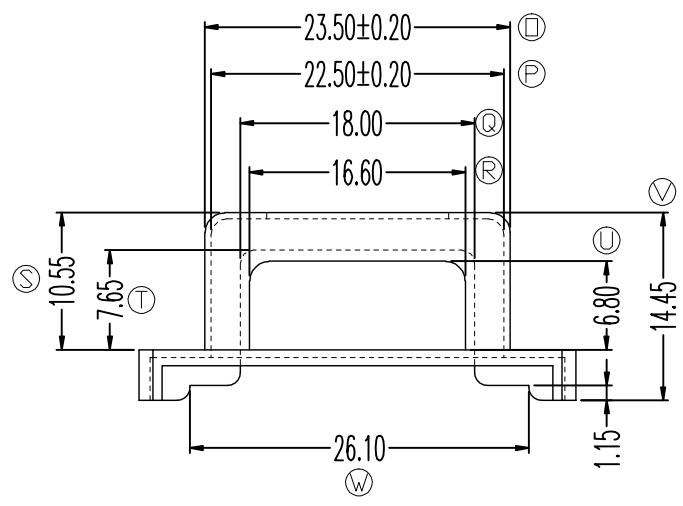
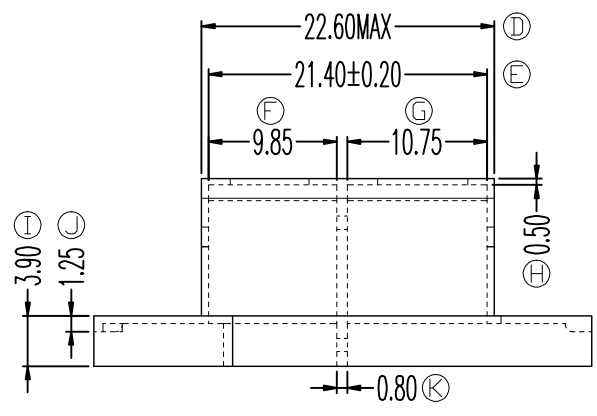
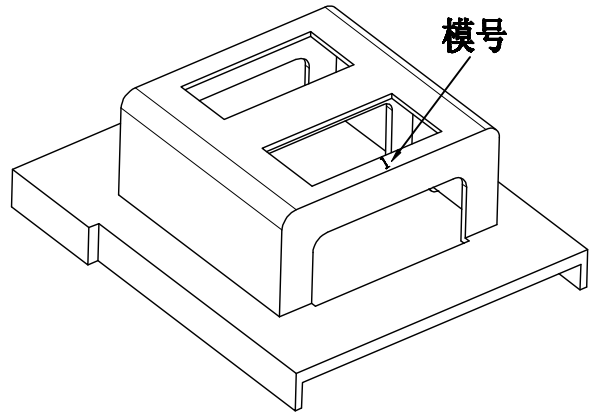
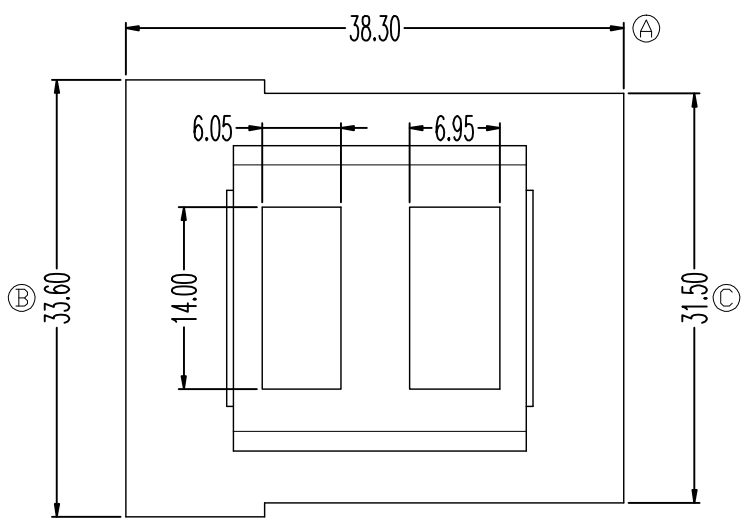


ZX-31B-1



项次	REVISIONS	REC.	DATE	项次	REVISIONS	REC.	DATE
1				4			
2				5			
3				6			
DRAWN & DRAFTED BY	LIU WEI QIANG		TOLERANCES	ANGLE:	TITLE: EFD-31.4(CASE)		
CHECKED & APPROVED BY	LIN JUN		0<L≤4 ±0.1 4<L≤16 ±0.2 16<L≤63 ±0.3	±1°	BOBBIN MATERIAL:	FR530(BK)	UL REC. UL 94V-0
			pin pitch ±0.2	UNIT:	MM	PIN TENSION LOAD:	
				SCALE:	PIN MATERIAL:		
					DATE: 2021.12.10		
					DRAWING NO. ZX-31B-1		REV. A01