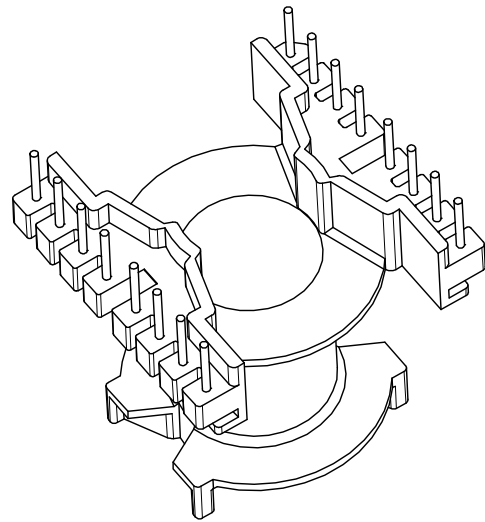
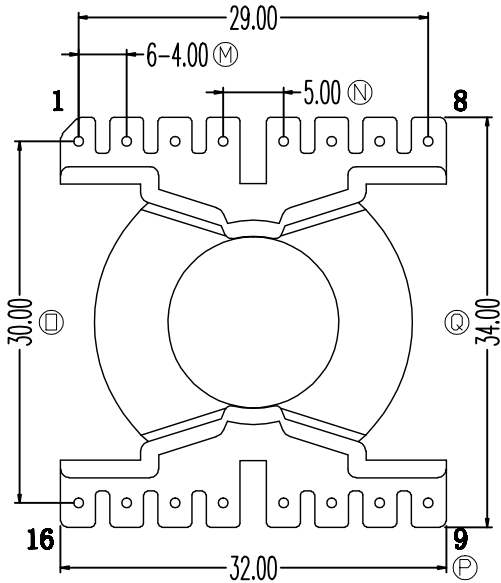
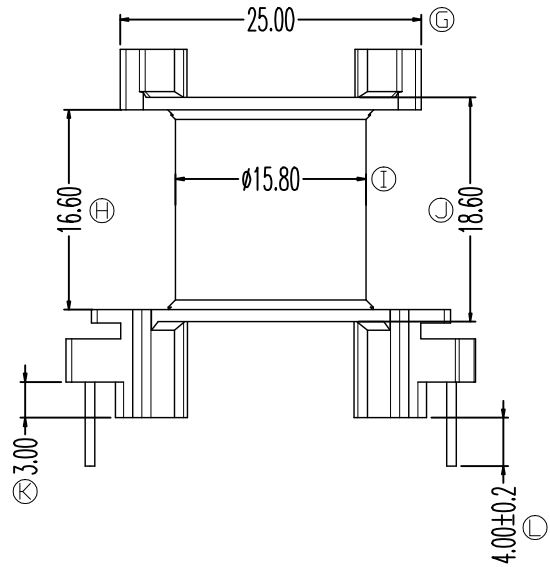
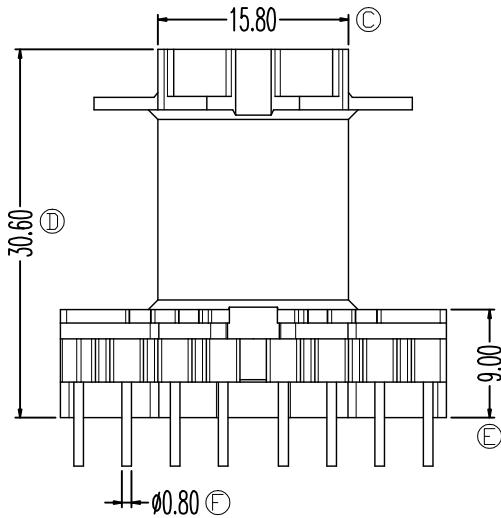
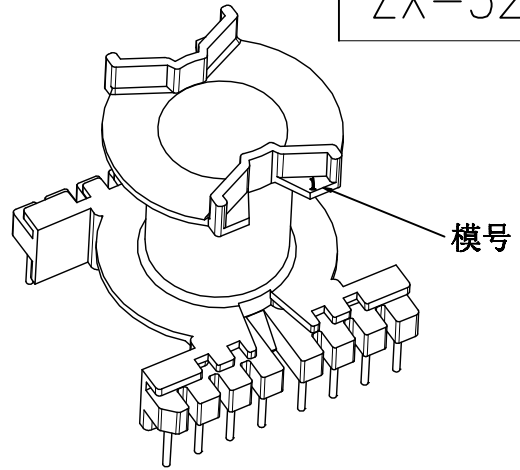
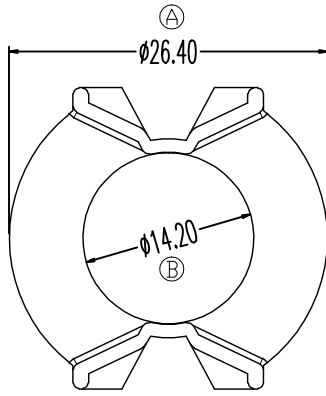


ZX-32T1



项次	REVISIONS REC.		DATE	项次	REVISIONS REC.		DATE
1				4			
2				5			
3				6			
DRAWN & DRAFTED BY	LIU WEI QIANG		TOLERANCES	ANGLE:	TITLE: 2A-03255QN(GJ32Q13203-TD)		
CHECKED & APPROVED BY	LIN JUN		0<L≤4 ±0.1 4<L≤16 ±0.2 16<L≤63 ±0.3	UNIT:	BOBBIN MATERIAL:	UL REC. UL 94V-0	
			pin pitch ±0.2	MM	PIN MATERIAL:	PIN TENSION LOAD: 1.0KG MIN	
智信电子塑胶有限公司 ZHI XIN ELECTRONICS PLASTIC CO., LTD. TEL:0769-86389901-2 FAX:0769-86389903				SCALE:	DATE:	DRAWING NO.:	REV.:
					2025.11.25	ZX-32T1	A01