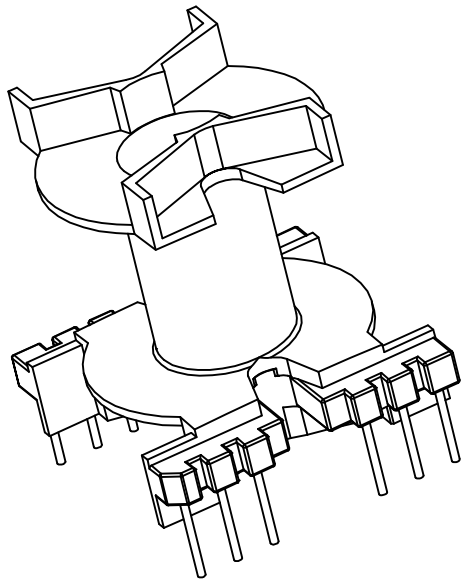
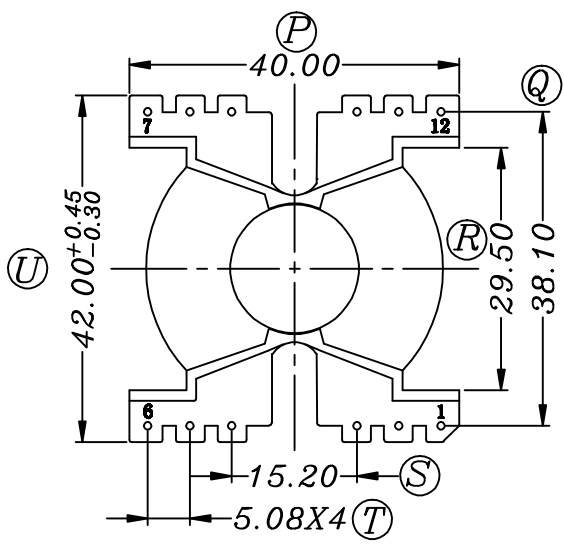
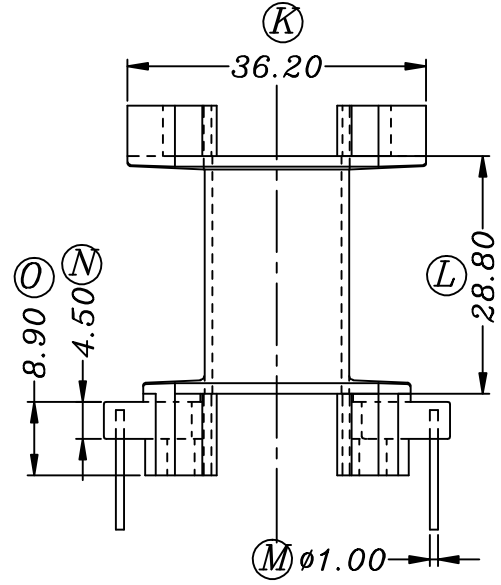
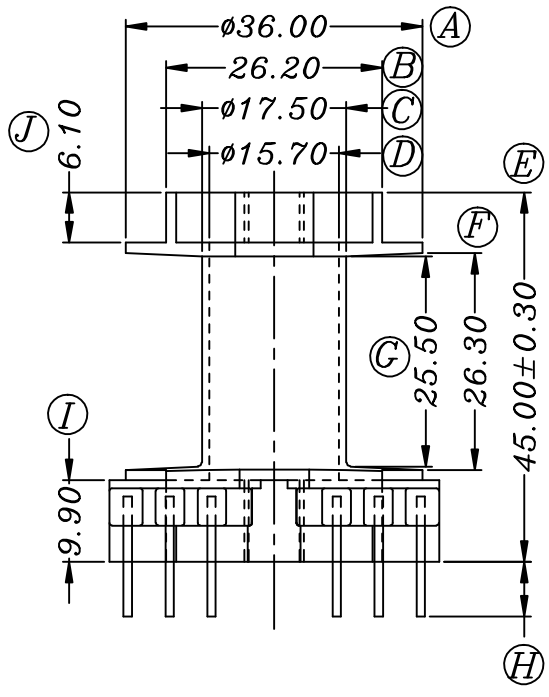


ZX-40K



项次	REVISIONS	REC.	DATE	项次	REVISIONS	REC.	DATE
1	⑤	尺寸由44.80改为45.00 ± 0.30mm	2024.07.22	4			
2	⑩	尺寸由42.00改为42.00 + 0.45 / - 0.30mm	2025.10.21	5			
3				6			
DRAWN & DRAFTED BY		LIU WEI QIANG		TOLERANCES		ANGLE: ±1°	
CHECKED & APPROVED BY		MA BU JIAN		0 < L ≤ 4 ±0.1		TITLE: PQ-40 (6+6P)	
				4 < L ≤ 16 ±0.2		BOBBIN MATERIAL: PHENOLIC	
				16 < L ≤ 63 ±0.3		UL REC. UL 94V-0	
				pin pitch ±0.2		PIN MATERIAL: CP WIRE	
				UNIT: MM		PIN TENSION LOAD: 1.5KG MIN	
				SCALE:		DATE: 2024.07.22	
				DRAWING NO. ZX-40K		REV. A03	



智信电子塑胶有限公司
ZHI XIN ELECTRONICS PLASTIC CO., LTD.
 TEL: 0769-86389901-2 FAX: 0769-86389903

