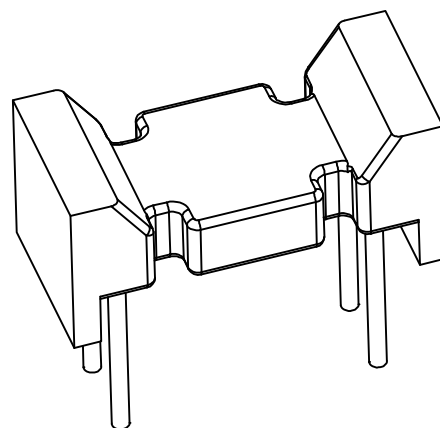
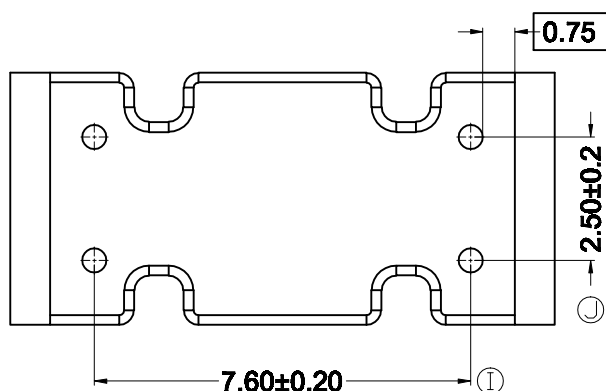
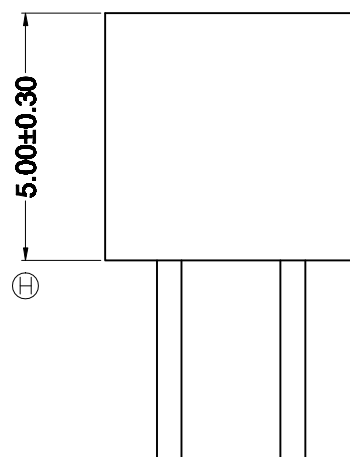
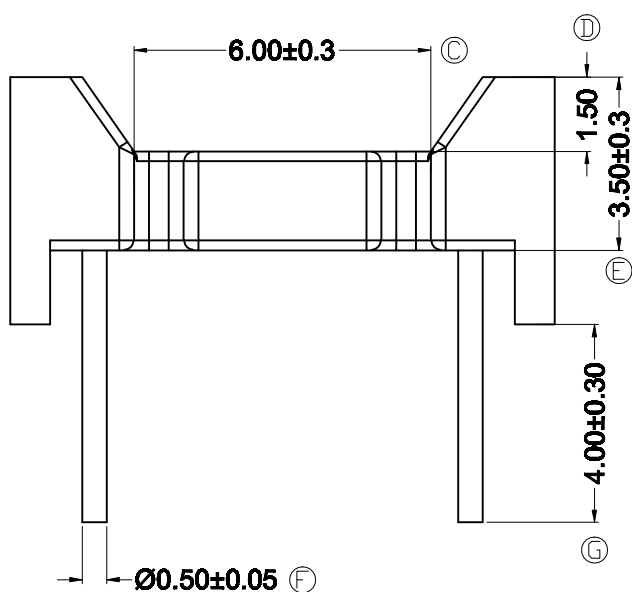
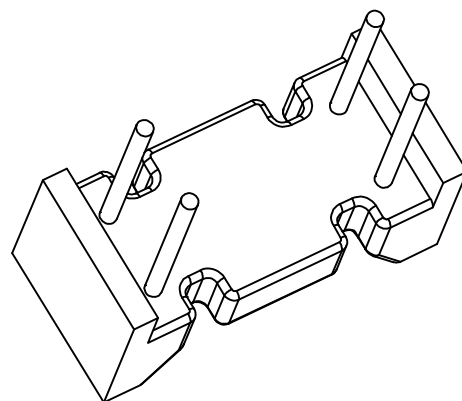
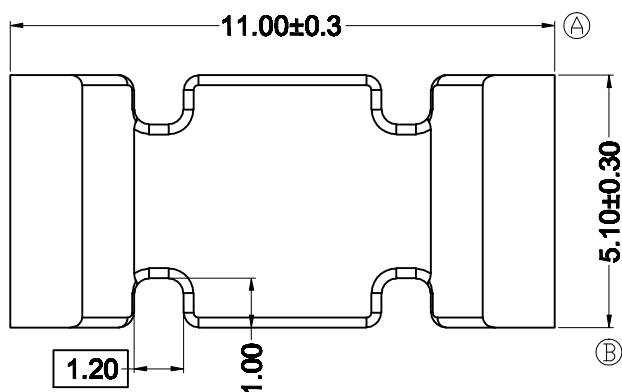


ZX-B196



项次	REVISIONS	REC.	DATE	项次	REVISIONS	REC.	DATE
1	尺寸1.00mm改为1.20mm, 尺寸0.65mm减胶改为0.75mm		2025.06.13	4			
2				5			
3				6			
DRAWN & DRAFTED BY	LIU WEI QIANG		TOLERANCES	ANGLE:	TITLE: 11.0X5.1 底座		
CHECKED & APPROVED BY	LIN JUN		0<L≤4 ±0.1 4<L≤16 ±0.2 16<L≤63 ±0.3	UNIT:	BOBBIN MATERIAL:	UL REC. UL 94V-0	
			pin pitch ±0.2	MM	PHENOLIC		
智信电子塑胶有限公司				SCALE:	PIN MATERIAL:	PIN TENSION LOAD:	
ZXE ZHI XIN ELECTRONICS PLASTIC CO., LTD.					CP WIRE	1.0KG MIN	
TEL:0769-86389901-2 FAX:0769-86389903					DATE:	DRAWING NO.	REV.
					2025.05.17	ZX-B196	A02