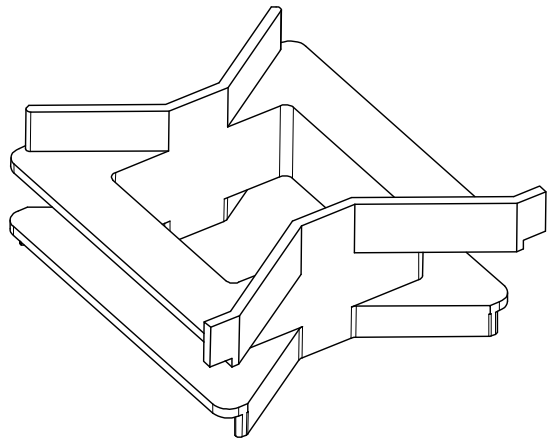
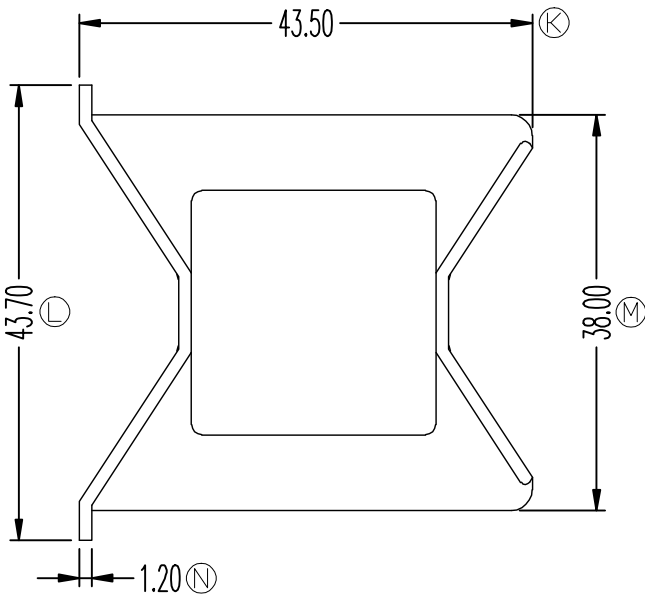
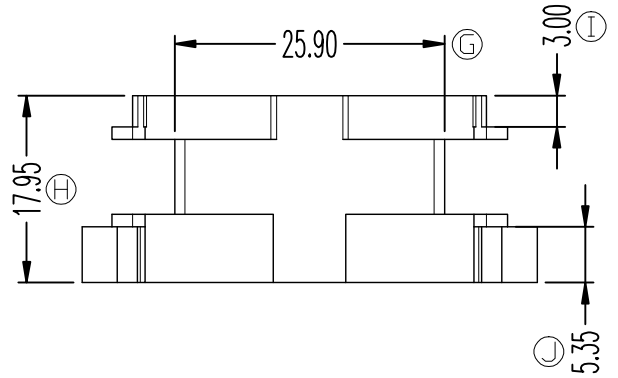
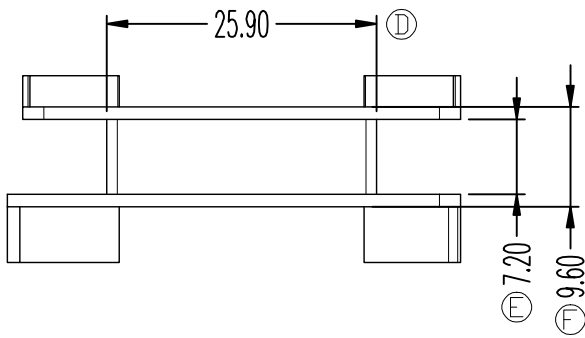
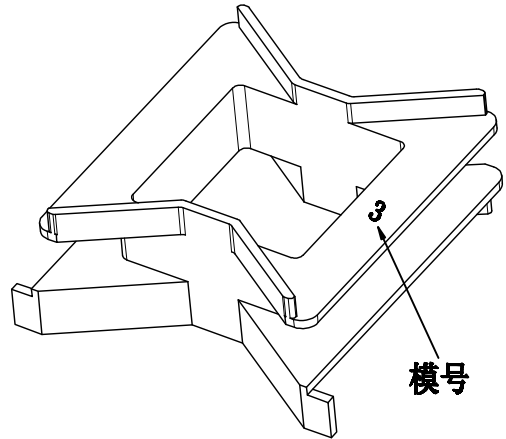
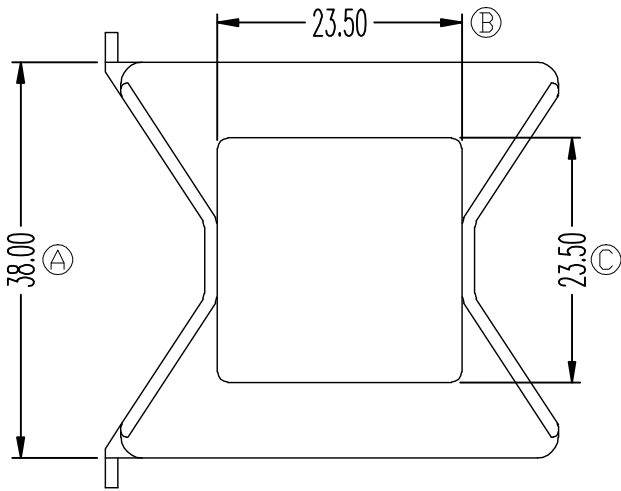


ZX-B197-1



REV.	REVISIONS	REC.	DATE	REV.	REVISIONS	REC.	DATE
1				4			
2				5			
3				6			
DRAWN & DRAFTED BY		LIU WEI QIANG		TOLERANCES		ANGLE:	
CHECKED & APPROVED BY		LIN JUN		0 < L ≤ 4 ±0.1		±1°	
				4 < L ≤ 16 ±0.2		UNIT:	
				16 < L ≤ 63 ±0.3		MM	
TITLE: Q03150056_BN1				BOBBIN MATERIAL: PET FR530(BK)		UL REC. UL 94V-0	
SCALE:				PIN MATERIAL:		PIN TENSION LOAD:	
DATE: 2021.08.11				DRAWING NO. ZX-B197-1		REV. A01	