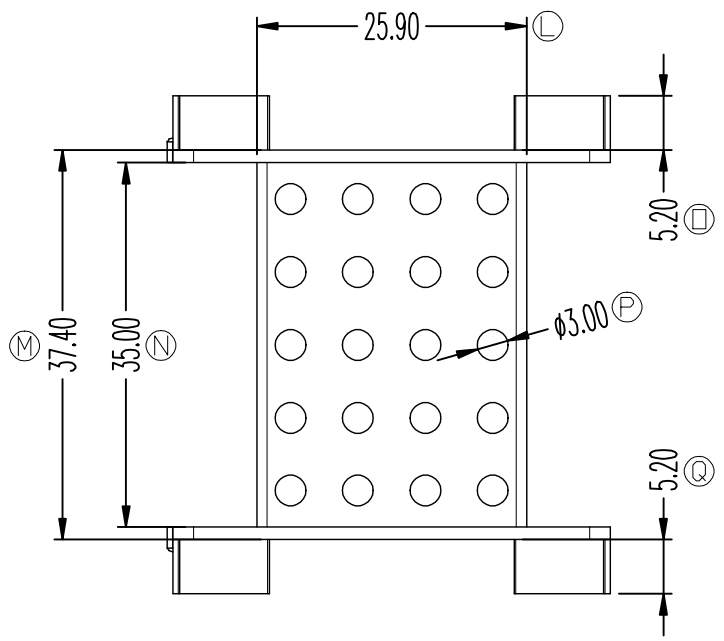
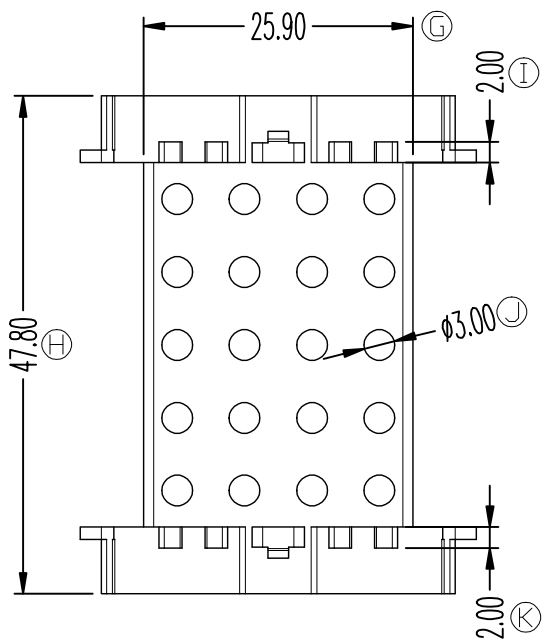
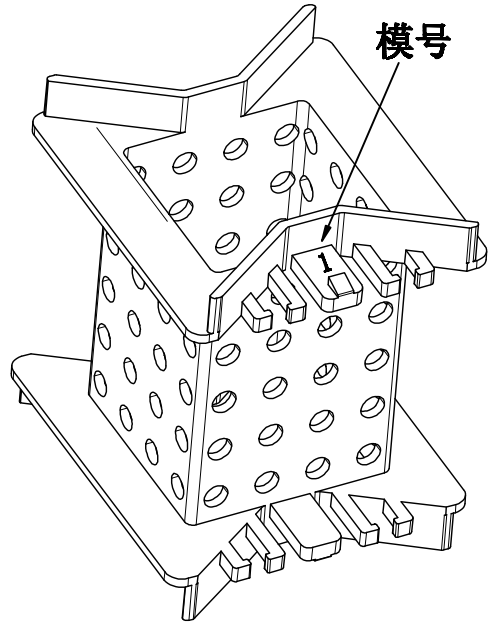
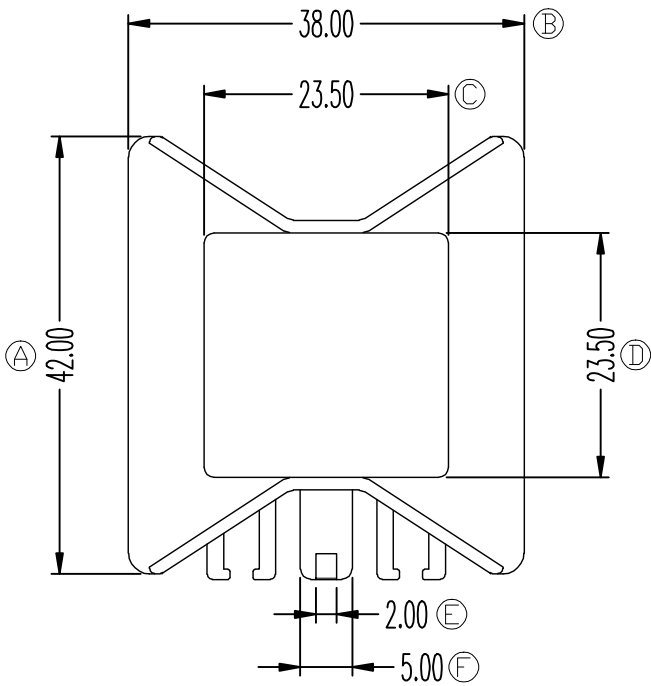


ZX-B197-2



REV.	REVISIONS	REC.	DATE	REV.	REVISIONS	REC.	DATE	
1				4				
2				5				
3				6				
DRAWN & DRAFTED BY		LIU WEI QIANG	TOLERANCES		ANGLE: $\pm 1^\circ$			TITLE: Q03150056_BN2
CHECKED & APPROVED BY		LIN JUN	0 < L ≤ 4 ± 0.1		UNIT: MM	BOBBIN MATERIAL: PET FR530(BK)	UL REC. UL 94V-0	
			4 < L ≤ 16 ± 0.2		SCALE:	PIN MATERIAL:	PIN TENSION LOAD:	
			16 < L ≤ 63 ± 0.3					
智信电子塑胶有限公司 ZHI XIN ELECTRONICS PLASTIC CO., LTD. TEL: 0769-86389901-2 FAX: 0769-86389903				DATE: 2021.08.23	DRAWING NO. ZX-B197-2	REV. A01		