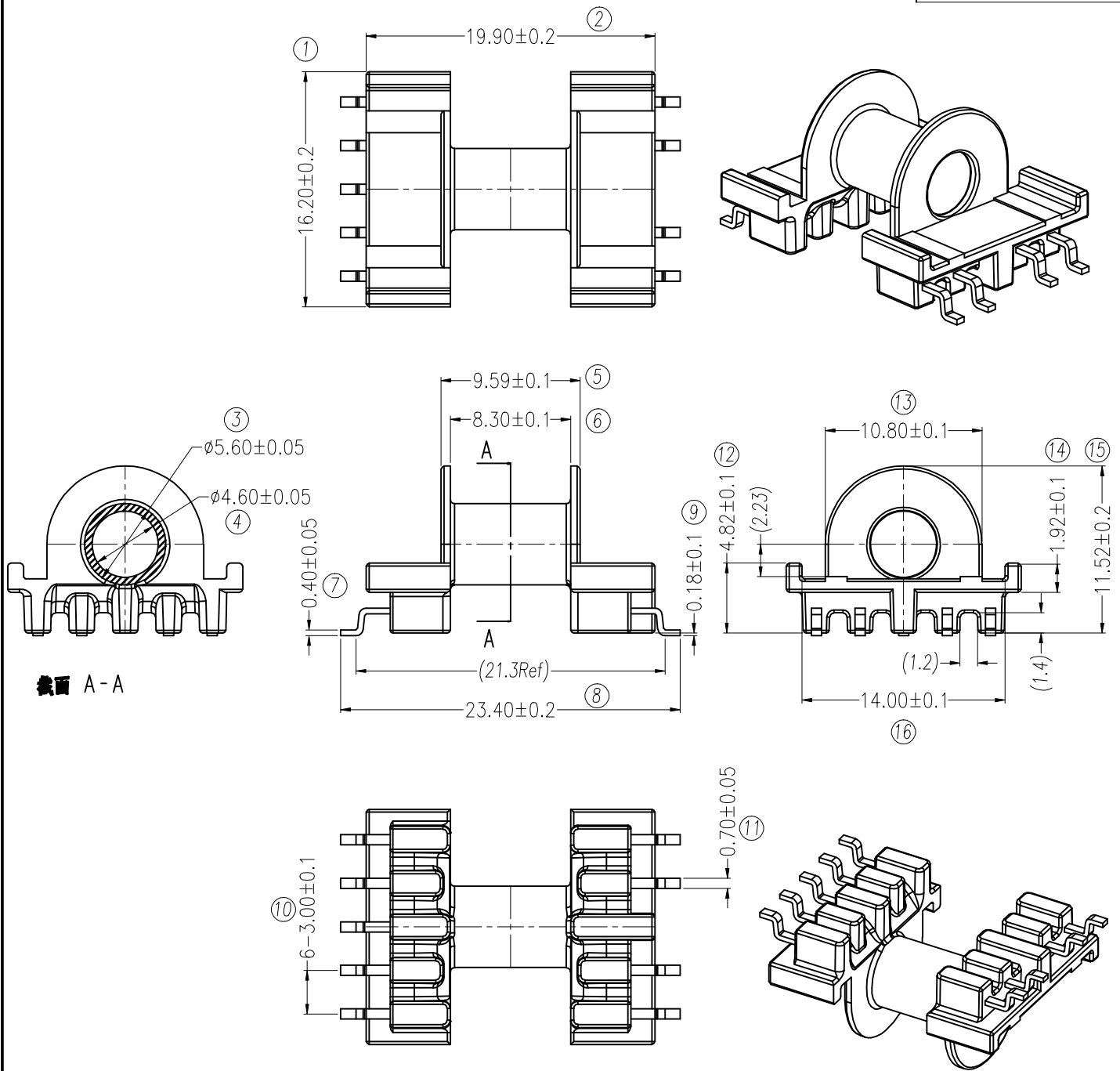


ZXS-25G



NOTES:

1. 塑胶材质: WH-9100 (DAP), 阻燃等级UL94V-0,
2. PIN脚材质: C5191-H, 镀镍底 $1.3 \mu\text{m}$ - $3 \mu\text{m}$, 再镀雾锡 $5.1 \mu\text{m}$ - $10 \mu\text{m}$; 切断面需上锡;

检测序号: ① ~ ⑱

项次	REVISIONS	REC.	DATE	项次	REVISIONS	REC.	DATE
1				4			
2				5			
3				6			
DRAWN & DRAFTED BY	LIU WEI QIANG		TOLERANCES	ANGLE:	TITLE: SRT-T-730A		
CHECKED & APPROVED BY	LIN JUN		$0 < L \leq 4 \pm 0.1$ $4 < L \leq 16 \pm 0.2$ $16 < L \leq 63 \pm 0.3$	$\pm 1^\circ$ UNIT: MM	BOBBIN MATERIAL: WH-9100	UL REC. UL 94V-0	
智信电子塑胶有限公司 ZHI XIN ELECTRONICS PLASTIC CO., LTD. TEL:0769-86389901-2 FAX:0769-86389903				SCALE:	PIN MATERIAL: C5191-H	PIN TENSION LOAD: 1.0KG MIN	
				DATE: 2025.01.20	DRAWING NO. ZXS-25G	REV. A01	