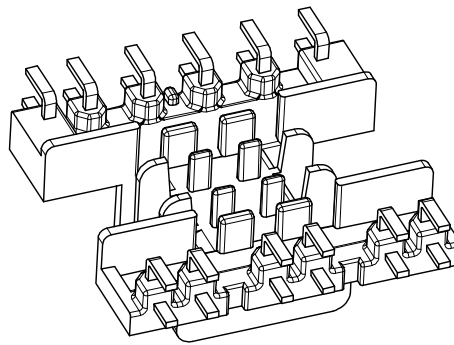
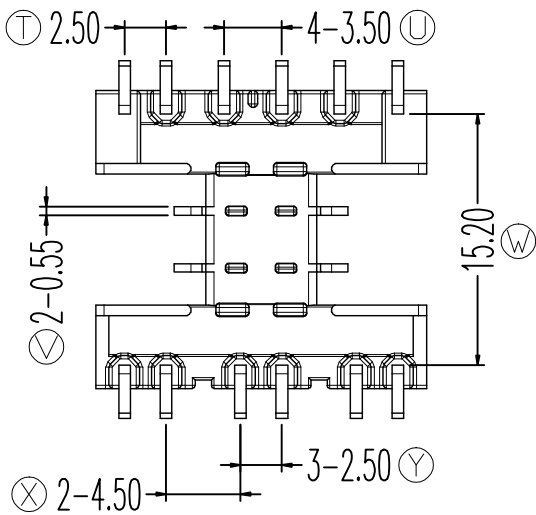
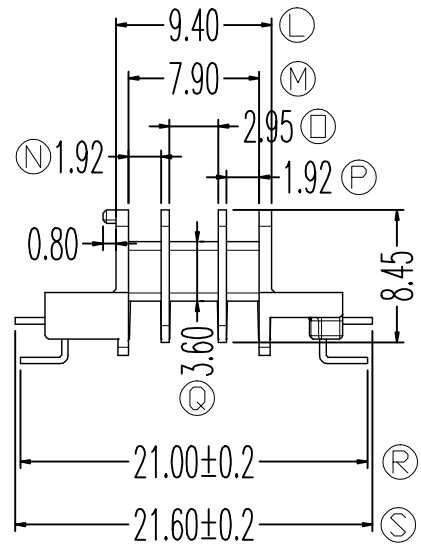
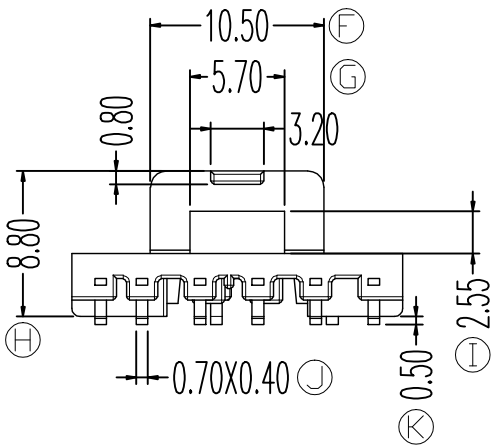
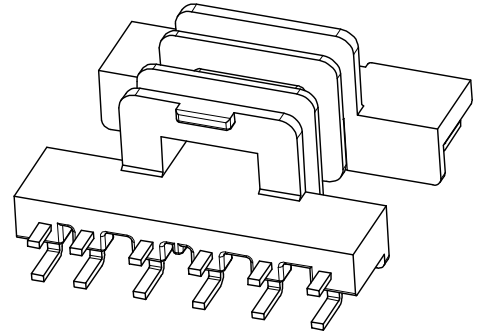
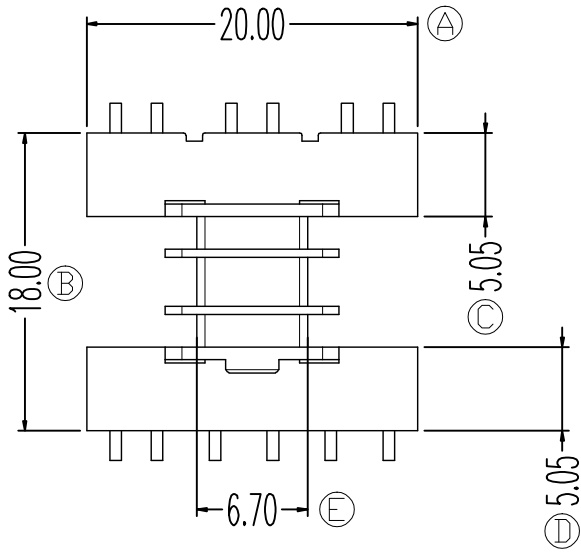


ZXS-150



附注:

1. 未注圆角为R0.05-0.2mm;
2. 最大毛边允许0.05mm;
3. 端子平面度: 0.12mm MAX;
4. 产品符合RoHS环保要求;
5. 引脚电镀要求:  
Ni: 0.7um min, Sn: 3.0um min

| 项次                                    | REVISIONS | REC.          | DATE | 项次  | REVISIONS | REC.                        | DATE |
|---------------------------------------|-----------|---------------|------|---|-----------|-----------------------------|------|
| 1                                     |           |               |      | 4   |           |                             |      |
| 2                                     |           |               |      | 5   |           |                             |      |
| 3                                     |           |               |      | 6   |           |                             |      |
| DRAWN & DRAFTED BY                    |           | LIU WEI QIANG |      | TOLERANCES                                |           | ANGLE: ±1°                  |      |
| CHECKED & APPROVED BY                 |           | LIN JUN       |      | 0<L≤4 ±0.1<br>4<L≤16 ±0.2<br>16<L≤63 ±0.3 |           | pin pitch ±0.2              |      |
| 智信电子塑胶有限公司                            |           |               |      | TITLE: EFD15-E12P                         |           |                             |      |
| ZHE XIN ELECTRONICS PLASTIC CO., LTD. |           |               |      | UNIT: MM                                  |           | BOBBIN MATERIAL: WH-9100    |      |
| TEL:0769-86389901-2 FAX:0769-86389903 |           |               |      | SCALE:                                    |           | UL REC. UL 94V-0            |      |
|                                       |           |               |      | DATE: 2023.02.10                          |           | PIN TENSION LOAD: 1.0KG MIN |      |
|                                       |           |               |      | DRAWING NO. ZXS-150                       |           | REV. A01                    |      |