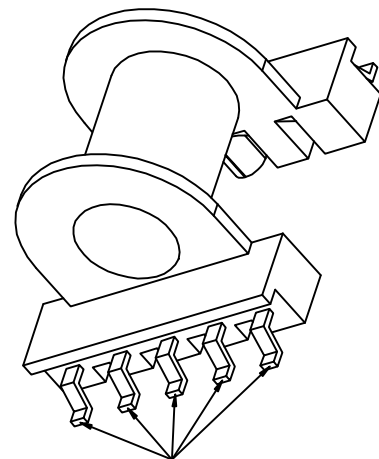
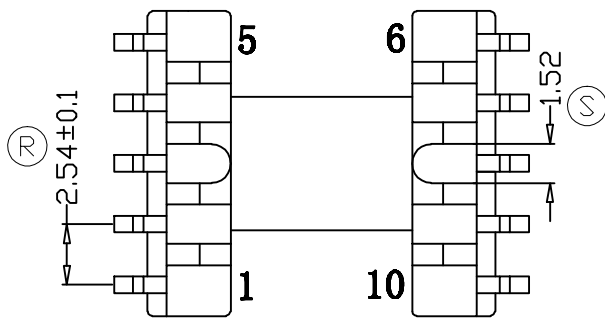
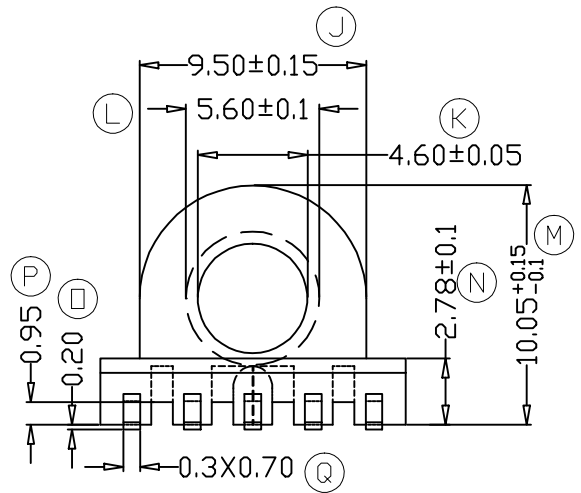
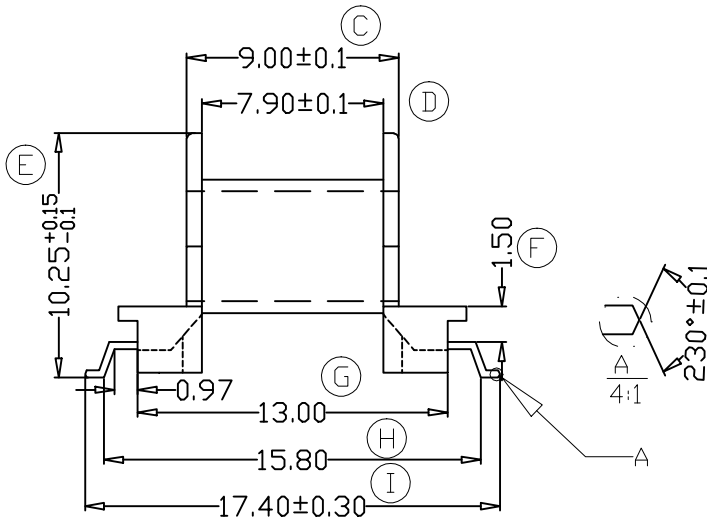
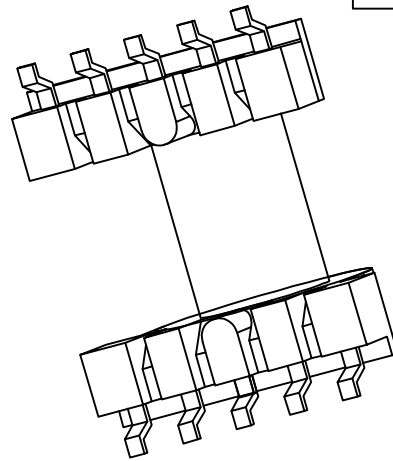
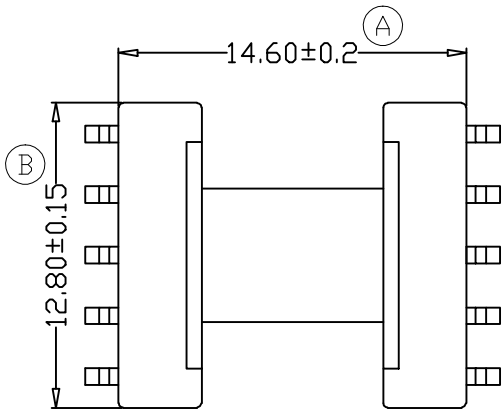


# ZXS-13F1



平贴度0.12mm MAX

截面不用二次电镀

项次	REVISIONS	REC.	DATE	项次	REVISIONS	REC.	DATE
1				4			
2				5			
3			2025.08.28	6			
DRAWN & DRAFTED BY	LIU WEI QIANG		TOLERANCES		ANGLE:	±1°	
CHECKED & APPROVED BY	MA BU JIAN		0<L≤4 ±0.1	pin pitch	UNIT:	MM	
			4<L≤16 ±0.2		BOBBIN MATERIAL:	PM-9630	UL REC. UL 94V-0
			16<L≤63 ±0.3		PIN MATERIAL:	CP WIRE	PIN TENSION LOAD: 1.0KG MIN
<b>智信电子塑胶有限公司</b> ZHI XIN ELECTRONICS PLASTIC CO., LTD. TEL:0769-86389901-2 FAX:0769-86389903				SCALE:	DATE:	DRAWING NO.	REV.
					2025.08.28	ZXS-13F1	A01