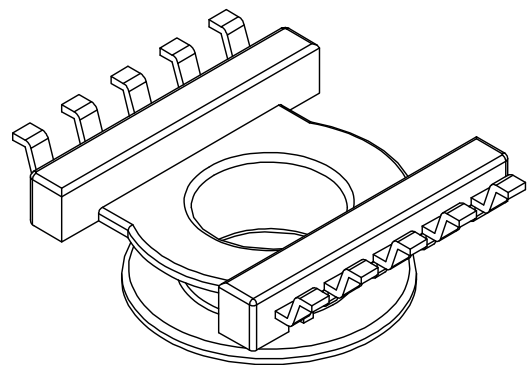
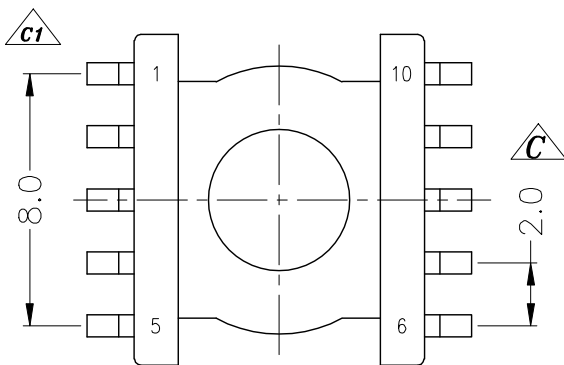
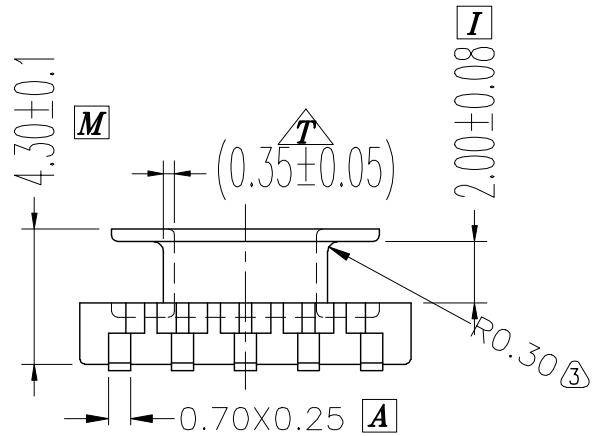
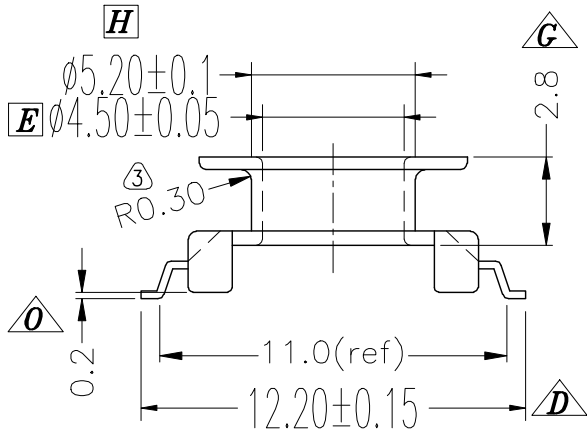
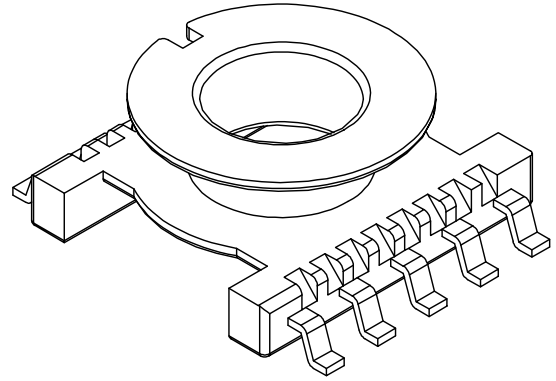
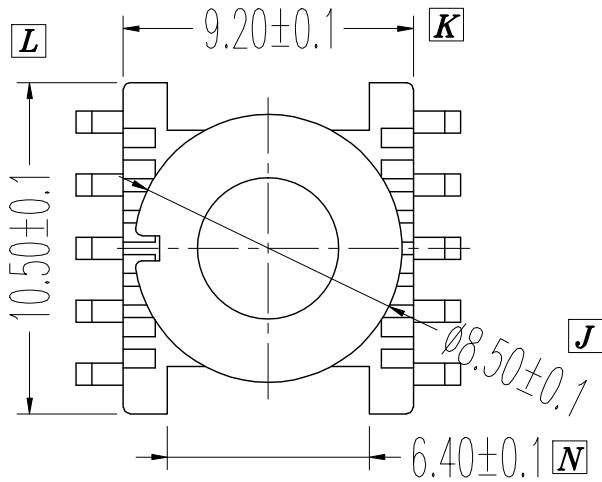


ZXS-11.5E



项次	REVISIONS REC.		DATE	项次	REVISIONS REC.		DATE
1				4			
2				5			
3				6			
DRAWN & DRAFTED BY	LIU WEI QIANG		TOLERANCES	ANGLE:	TITLE: SMD BOBBIN ER-11.5(5+5P)		
CHECKED & APPROVED BY	LIN JUN		0 < L ≤ 4 ± 0.1	± 1°	BOBBIN MATERIAL: PM-9630		UL REC. UL 94V-0
			4 < L ≤ 16 ± 0.2	UNIT: MM	PIN MATERIAL: C5191 H		PIN TENSION LOAD: 1.0KG MIN
			16 < L ≤ 63 ± 0.3	SCALE:	DATE: 2025.11.26		DRAWING NO. ZXS-11.5E
<b>智信电子塑胶有限公司</b> ZHI XIN ELECTRONICS PLASTIC CO., LTD. TEL: 0769-86389901-2 FAX: 0769-86389903						REV. A01	