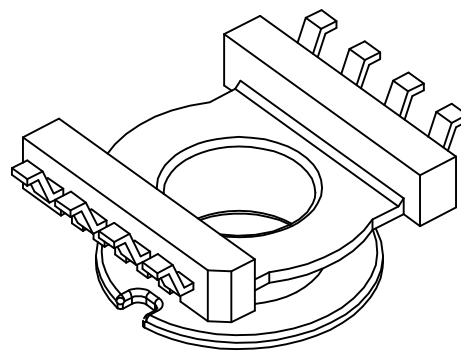
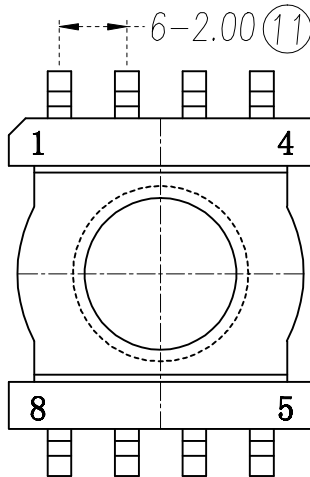
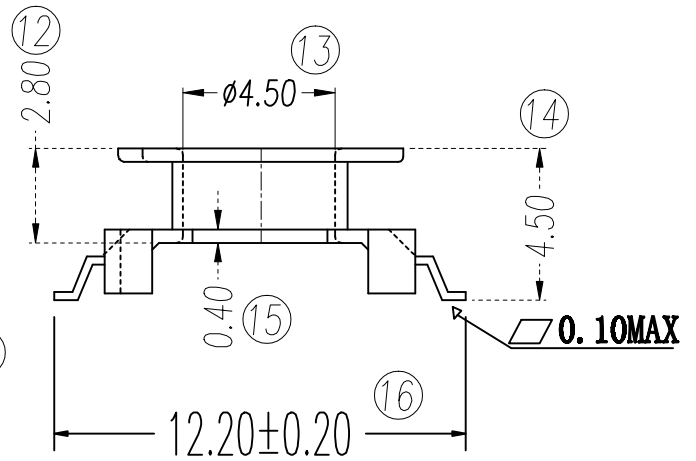
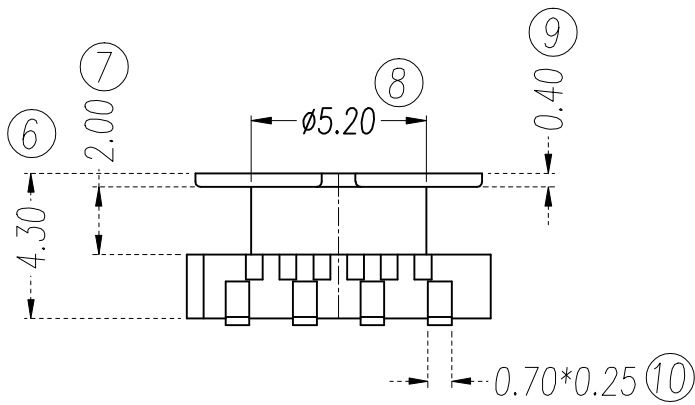
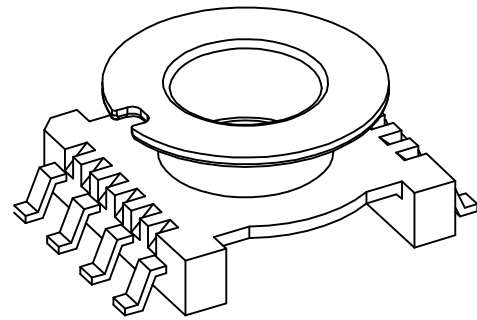
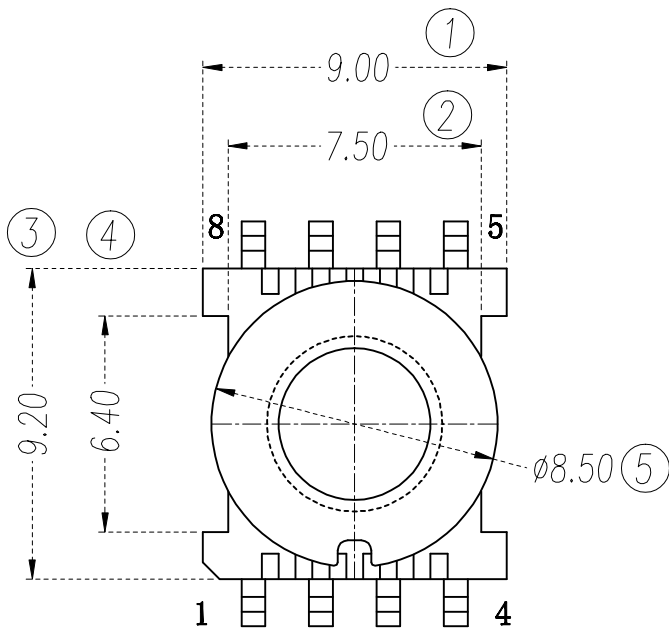


ZXS-11.5D



项次	REVISIONS REC.		DATE	项次	REVISIONS REC.		DATE
1				4			
2				5			
3				6			
DRAWN & DRAFTED BY	LIU WEI QIANG	TOLERANCES		ANGLE:	TITLE: ER-11.5(4+4P)		
CHECKED & APPROVED BY	LIN JUN	0<L≤4 ±0.1	pin pitch ±0.2	UNIT:	BOBBIN MATERIAL: PM-9630	UL REC. UL 94V-0	
		4<L≤16 ±0.2		SCALE:	PIN MATERIAL: C5191-H	PIN TENSION LOAD: 1.5KG MIN	
		16<L≤63 ±0.3			DATE: 2008.02.15	DRAWING NO. ZXS-11.5D	REV. A01



智信电子塑胶有限公司
 ZHI XIN ELECTRONICS PLASTIC CO., LTD.
 TEL:0769-86389901-2 FAX:0769-86389903

