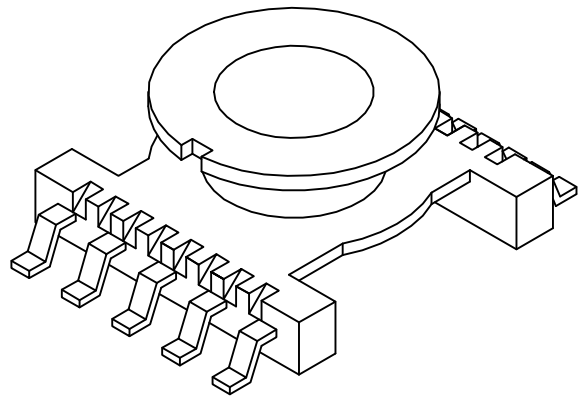
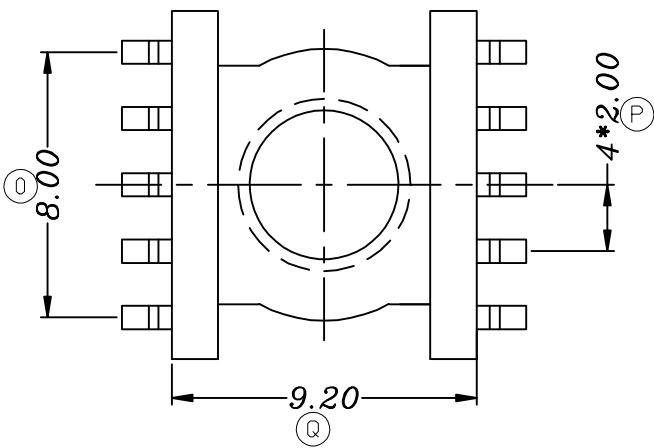
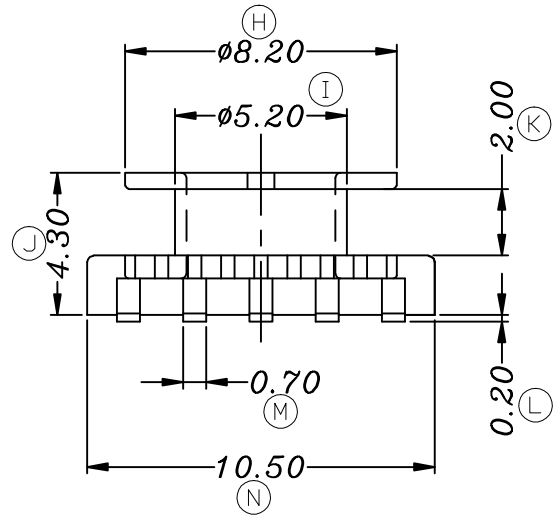
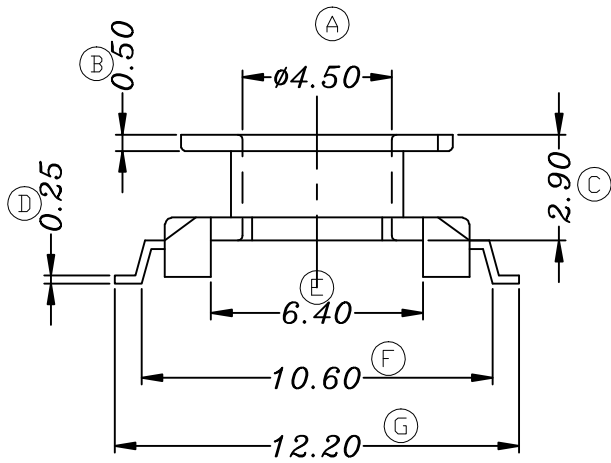


ZXS-11.5A



平贴度0.10mm MAX

| REV. | REVISIONS | REC. | DATE | REV. | REVISIONS | REC. | DATE |
|---|-----------|---------------|------|-----------------------|-----------|-----------------------------|------|
| 1 | | | | 4 | | | |
| 2 | | | | 5 | | | |
| 3 | | | | 6 | | | |
| DRAWN & DRAFTED BY | | LIU WEI QIANG | | TOLERANCES | | ANGLE: $\pm 1^\circ$ | |
| CHECKED & APPROVED BY | | MA BU JIAN | | pin pitch | | TITLE: ER-11.5(5+5P) | |
| | | 0<L≤4 ±0.1 | | UNIT: MM | | BOBBIN MATERIAL: PHENOLIC | |
| | | 4<L≤16 ±0.2 | | SCALE: | | UL REC. UL 94V-0 | |
| | | 16<L≤63 ±0.3 | | DATE: 2012.06.03 | | PIN TENSION LOAD: 1.0KG MIN | |
| 智信电子塑胶有限公司 ZHI XIN ELECTRONICS PLASTIC CO., LTD. TEL:0769-86389901-2 FAX:0769-86389903 | | | | DRAWING NO. ZXS-11.5A | | REV. A01 | |