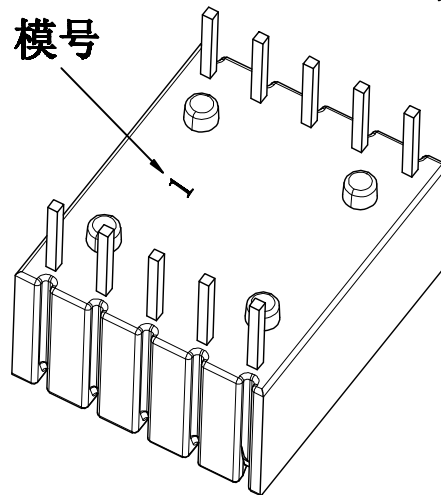
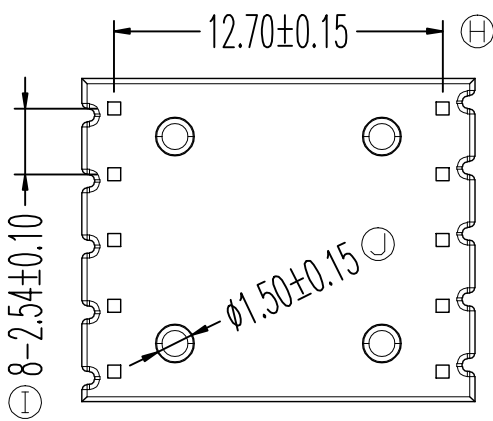
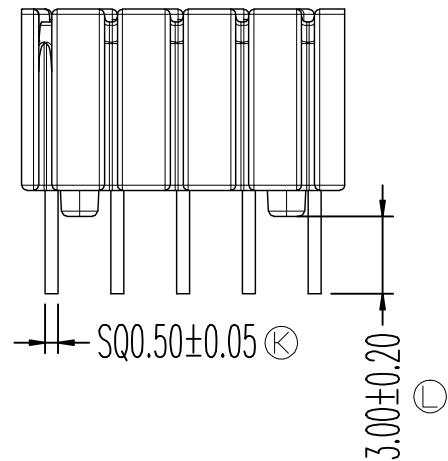
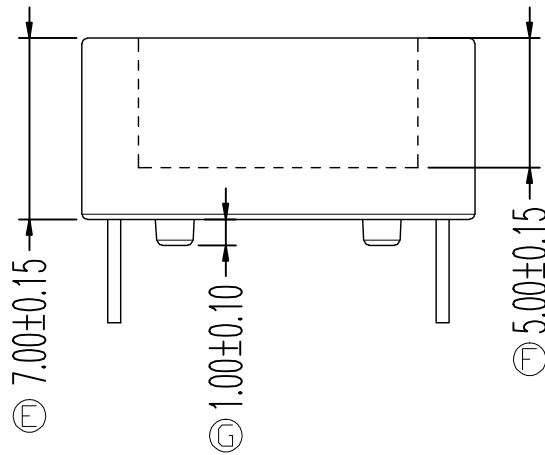
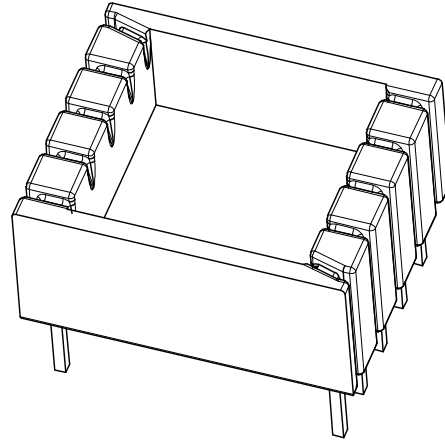
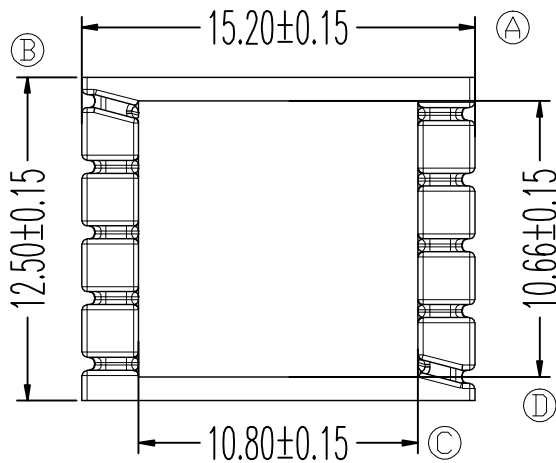


ZX-C105



项次	REVISIONS	REC.	DATE	项次	REVISIONS	REC.	DATE
1				4			
2				5			
3				6			
DRAWN & DRAFTED BY	LIU WEI QIANG		TOLERANCES	ANGLE:	TITLE: 27301胶壳		
CHECKED & APPROVED BY	LIN JUN		0<L≤4 ±0.1 4<L≤16 ±0.2 16<L≤63 ±0.3	pin pitch ±0.2	UNIT:	BOBBIN MATERIAL: T375HF	UL REC. UL 94V-0
智信电子塑胶有限公司				SCALE:	PIN MATERIAL: CP WIRE	PIN TENSION LOAD: 0.8KG MIN	
ZXE ZHI XIN ELECTRONICS PLASTIC CO., LTD.				DATE:	2025.07.03	DRAWING NO.	ZX-C105
TEL:0769-86389901-2 FAX:0769-86389903						REV.	A01