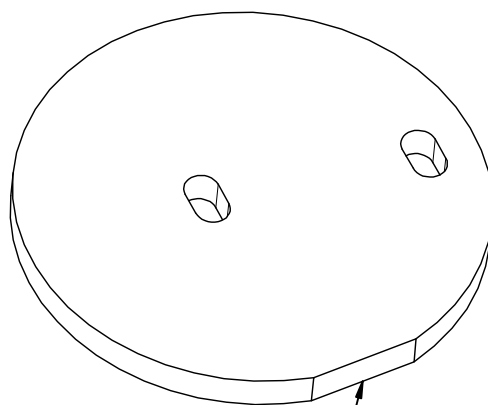
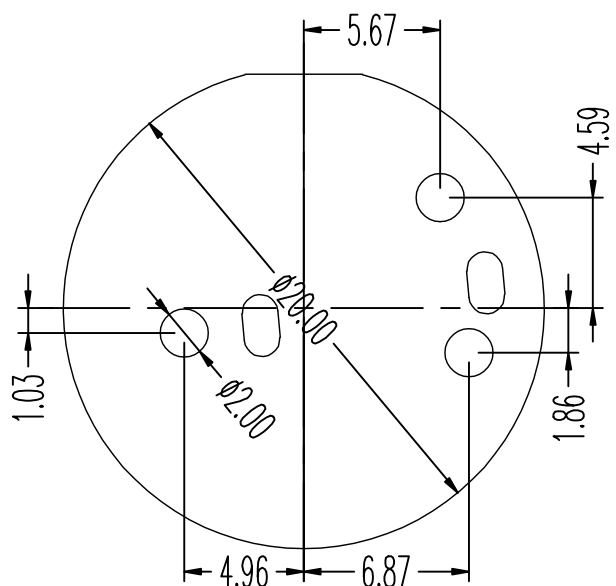
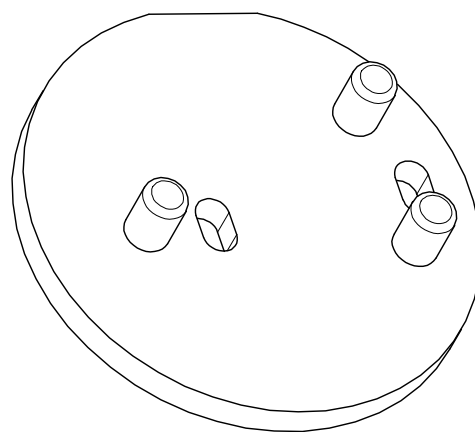
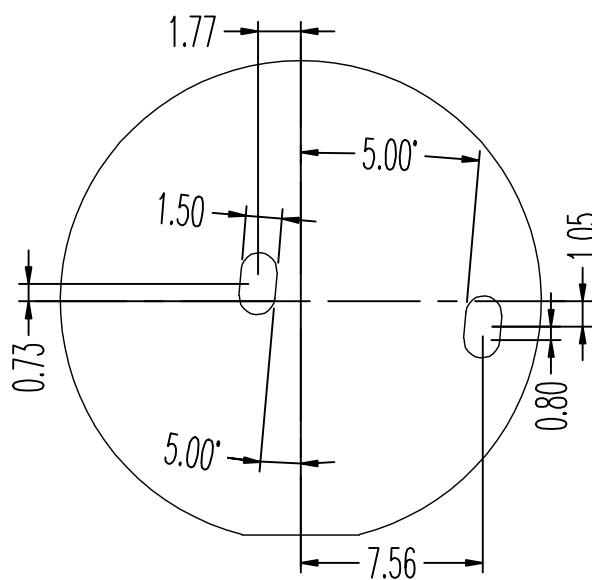
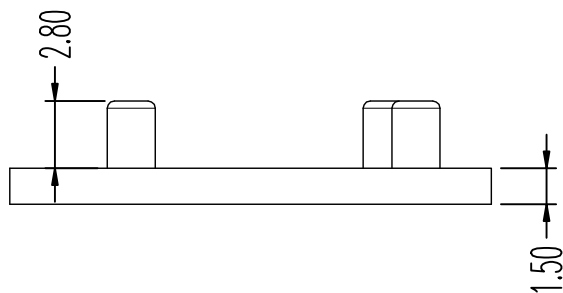


ZX-B200



进胶平位



项次	REVISIONS	REC.	DATE	项次	REVISIONS	REC.	DATE
1				4			
2				5			
3				6			

DRAWN & DRAFTED BY	LIU WEI QIANG	TOLERANCES		ANGLE:	TITLE: BASE			
		0<L≤4 ±0.1	pin pitch ±0.2	±1°	BOBBIN MATERIAL: PM-9823		UL REC. UL 94V-0	
CHECKED & APPROVED BY	LIN JUN	4<L≤16 ±0.2		UNIT:	MM	PIN MATERIAL:		PIN TENSION LOAD:
SCALE:				DATE: 2025.12.25		DRAWING NO. ZX-B200		REV. A01



智信电子塑胶有限公司
 ZHI XIN ELECTRONICS PLASTIC CO., LTD.
 TEL:0769-86389901-2 FAX:0769-86389903

