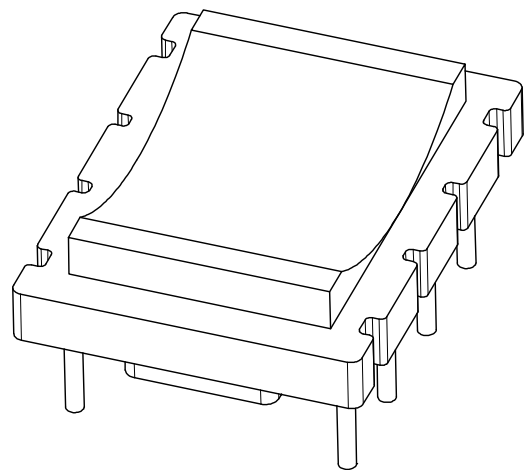
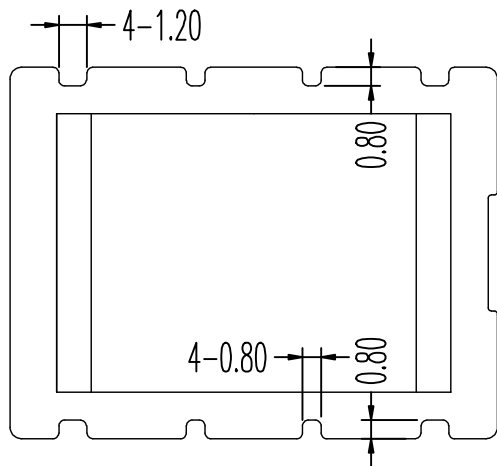
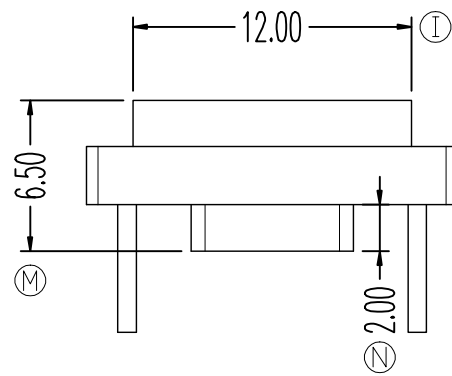
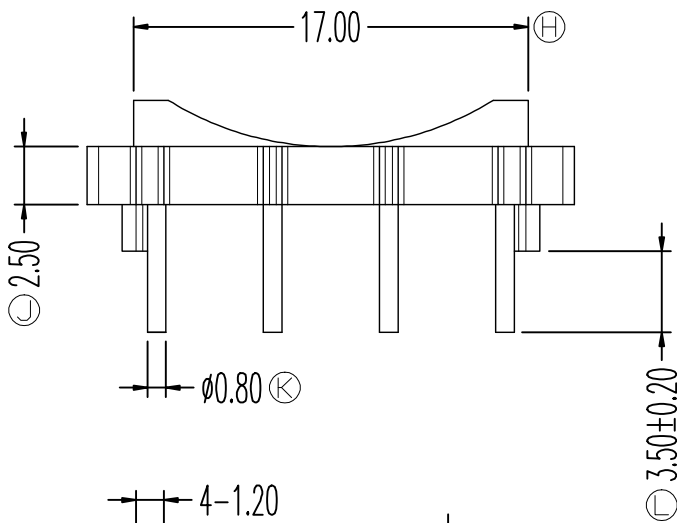
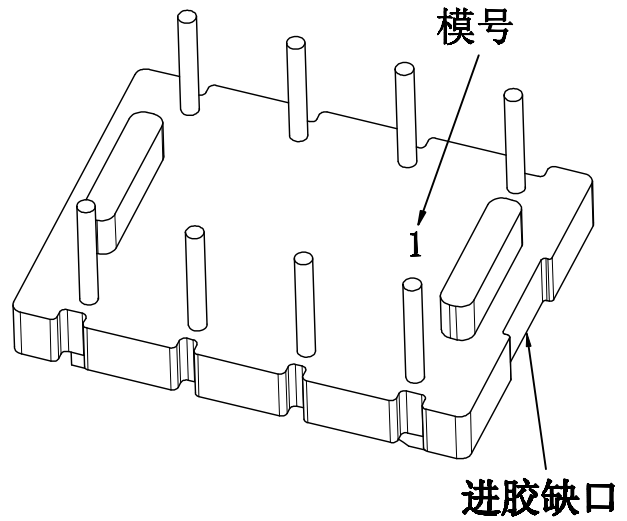
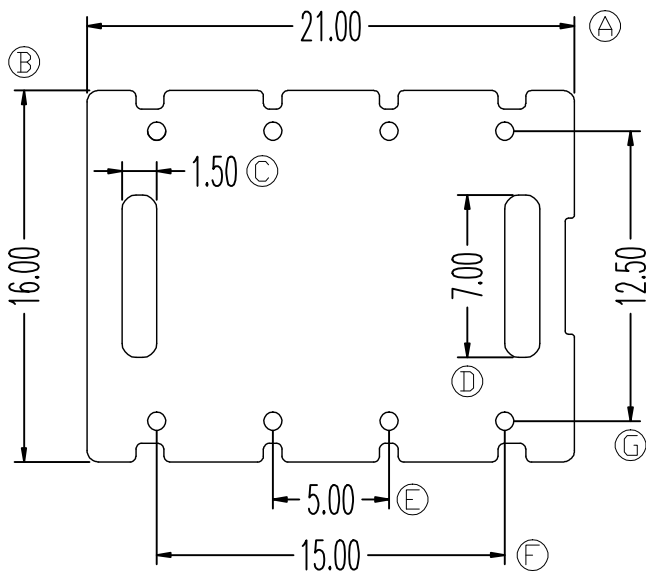


ZX-B199



项次	REVISIONS	REC.	DATE	项次	REVISIONS	REC.	DATE
1				4			
2				5			
3				6			
DRAWN & DRAFTED BY		LIU WEI QIANG		TOLERANCES		ANGLE: ±1°	
CHECKED & APPROVED BY		LIN JUN		0<L≤4 ±0.1		pin pitch	
				4<L≤16 ±0.2		±0.2	
				16<L≤63 ±0.3		UNIT: MM	
TITLE: BASE(4+4P)				SCALE:		PIN MATERIAL: CP WIRE	
BOBBIN MATERIAL: PHENOLIC				DATE: 2025.09.06		DRAWING NO. ZX-B199	
UL REC. UL 94V-0				PIN TENSION LOAD: 1.0KG MIN		REV. A01	



智信电子塑胶有限公司

ZHI XIN ELECTRONICS PLASTIC CO., LTD.  
TEL:0769-86389901-2 FAX:0769-86389903

