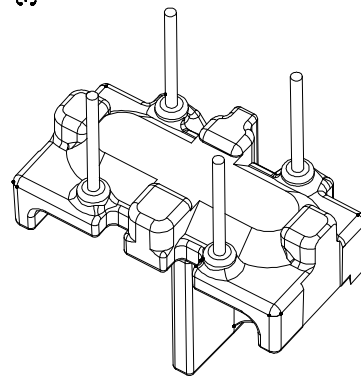
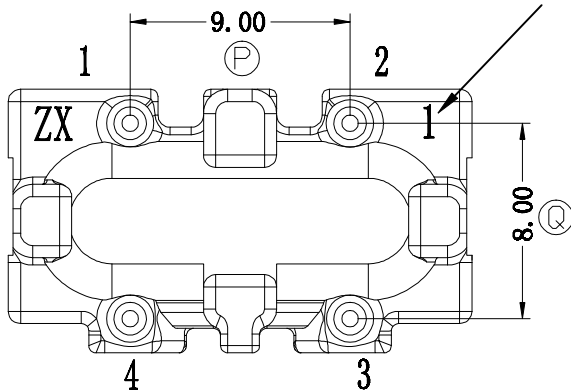
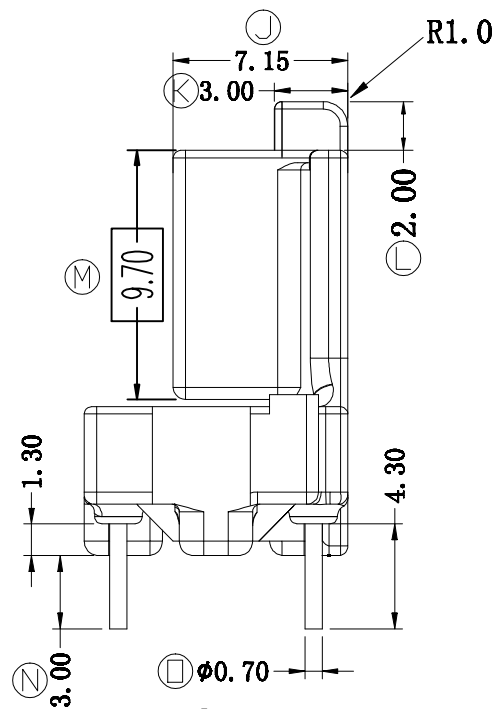
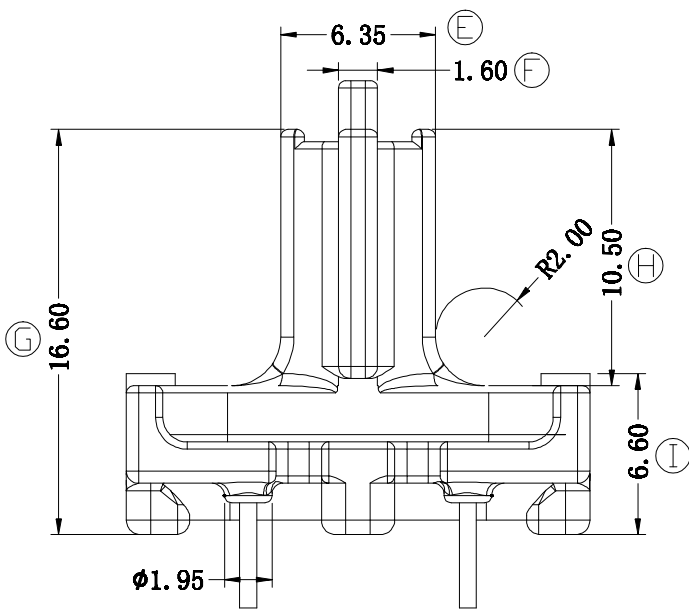
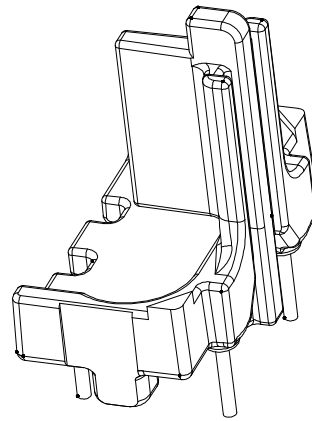
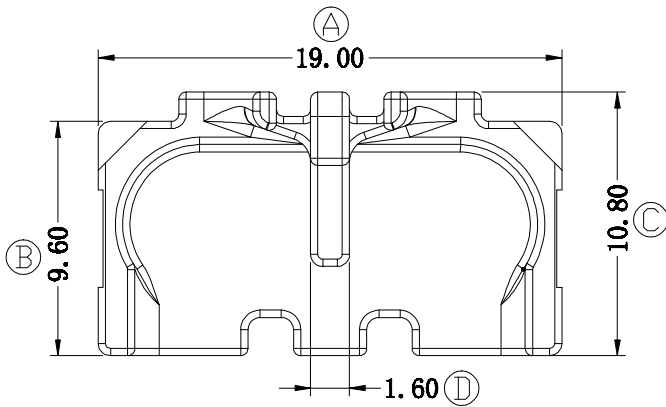


ZX-B122-1



项次	REVISIONS	REC.	DATE	项次	REVISIONS	REC.	DATE
1				4			
2				5			
3				6			
DRAWN & DRAFTED BY	LIU WEI QIANG		TOLERANCES	ANGLE:	TITLE: SQ-15(4P)		
CHECKED & APPROVED BY	LIN JUN		0<L≤4 ±0.1 4<L≤16 ±0.2 16<L≤63 ±0.3	±1°	BOBBIN MATERIAL:	PHENOLIC	
			pin pitch ±0.2	UNIT:	CP WIRE	UL REC. UL 94V-0	
				MM	PIN MATERIAL:	PIN TENSION LOAD: 0.7KG MIN	
<b>智信电子塑胶有限公司</b> ZHI XIN ELECTRONICS PLASTIC CO., LTD. TEL:0769-86389901-2 FAX:0769-86389903				SCALE:	DATE:	DRAWING NO.	REV.
					2025.03.06	ZX-B122-1	A01