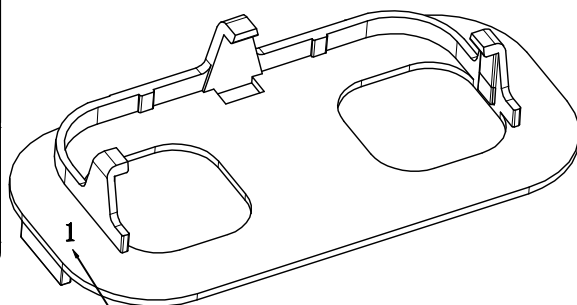
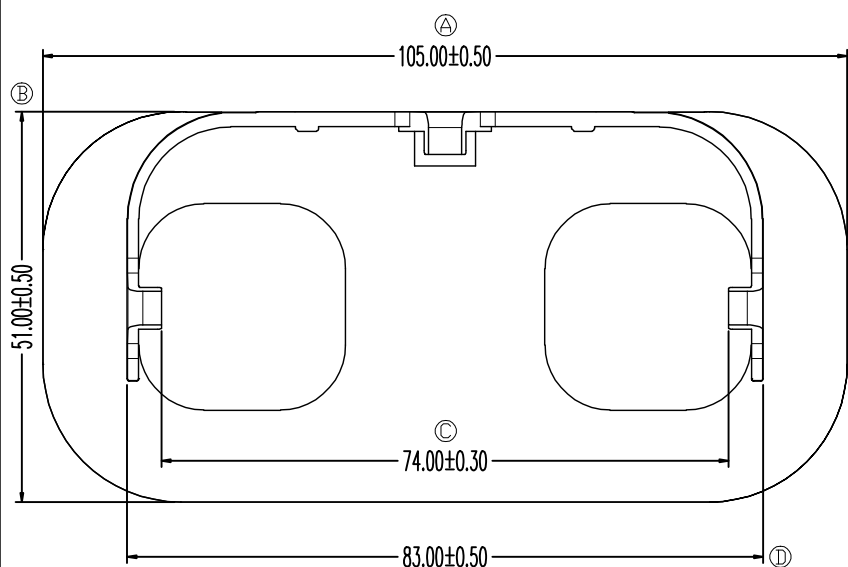
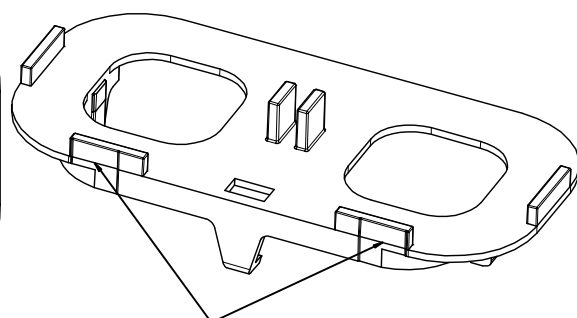
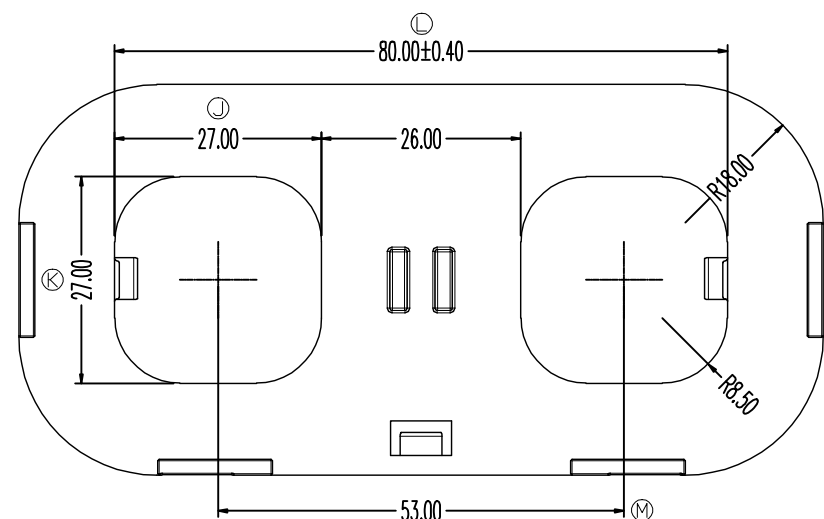
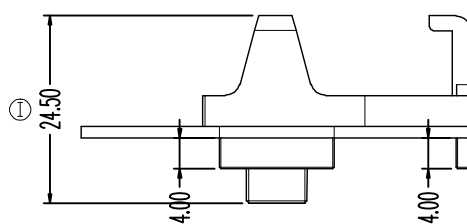
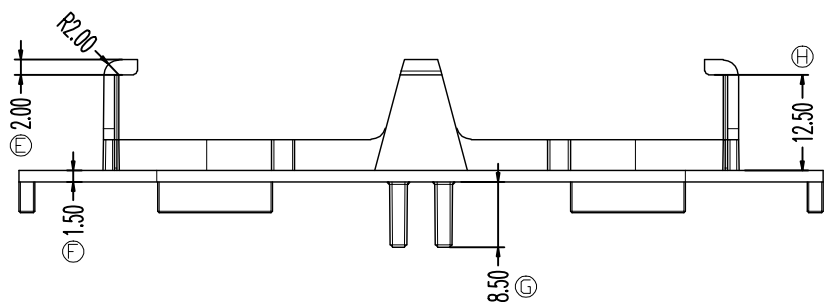


ZX-B169



模号



进胶位置

REV.	REVISIONS	REC.	DATE	REV.	REVISIONS	REC.	DATE
1				4			
2				5			
3				6			
DRAWN & DRAFTED BY	LIU WEI QIANG		TOLERANCES	ANGLE:	TITLE: 0618052050		
CHECKED & APPROVED BY	LIN JUN		0<L≤4 ±0.1 4<L≤16 ±0.2 16<L≤63 ±0.3	±1°	BOBBIN MATERIAL:	ET-1530(BK)	
			pin pitch ±0.2	UNIT:	PIN MATERIAL:	UL REC. UL 94V-0	
				MM	PIN TENSION LOAD:		
SCALE:				DATE: 2024.05.06			
智信电子塑胶有限公司				DRAWING NO. ZX-B169			
ZHI XIN ELECTRONICS PLASTIC CO., LTD.				REV. A01			
TEL:0769-86389901-2 FAX:0769-86389903							