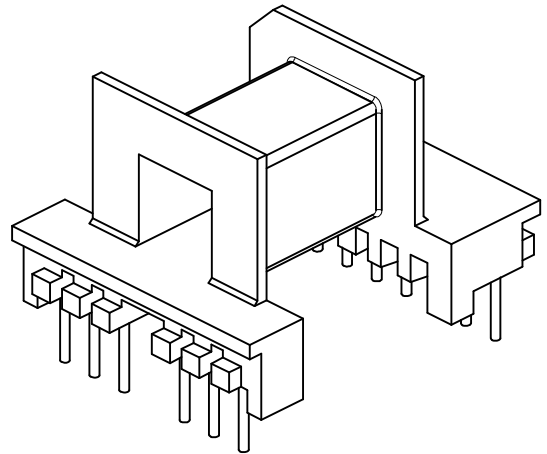
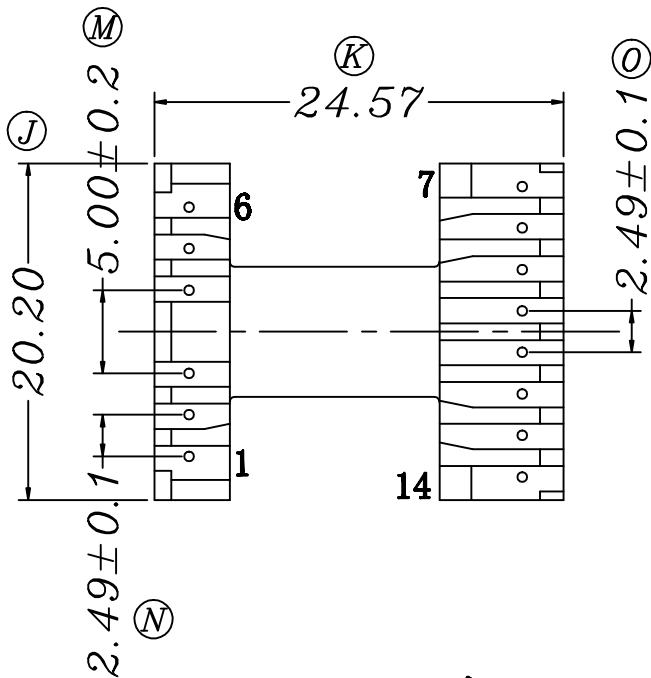
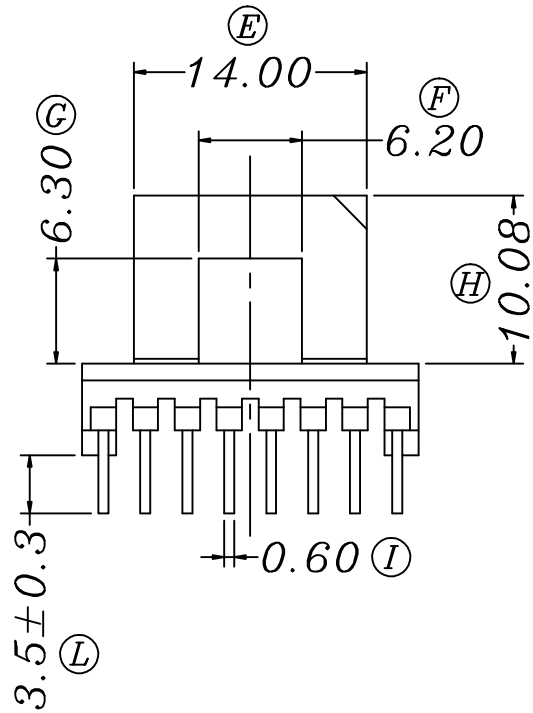
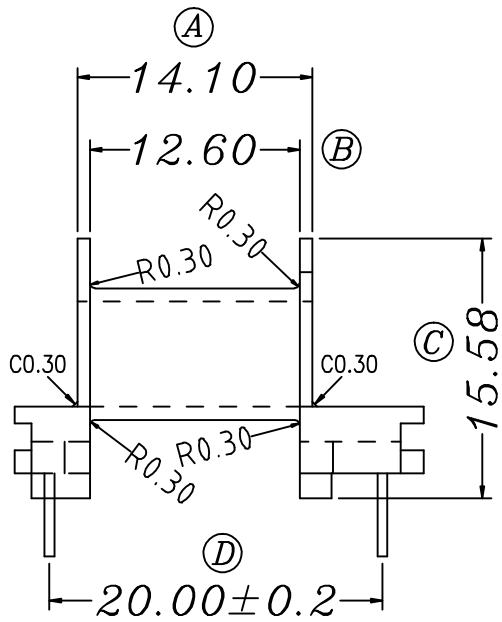


ZX-20BC-1



全PIN PIN长3.50 ± 0.3

REV.	REVISIONS	REC.	DATE	REV.	REVISIONS	REC.	DATE
1				4			
2				5			
3				6			
DRAWN & DRAFTED BY		LIU WEI QIANG		TOLERANCES		ANGLE: ±1°	
CHECKED & APPROVED BY		MA BU JIAN		0 < L ≤ 4 ±0.1 4 < L ≤ 16 ±0.2 16 < L ≤ 63 ±0.3		pin pitch ±0.2	
				UNIT: MM		TITLE: EE-20 (6+8P)	
				SCALE:		BOBBIN MATERIAL: PHENOLIC	
				DATE: 2024.07.19		UL REC. UL 94V-0	
				DRAWING NO. ZX-20BC-1		PIN MATERIAL: CP WIRE	
				REV. A01		PIN TENSION LOAD: 1.0KG MIN	



智信电子塑胶有限公司
ZHI XIN ELECTRONICS PLASTIC CO. LTD.
TEL:0769-86389901-2 FAX:0769-86389903

