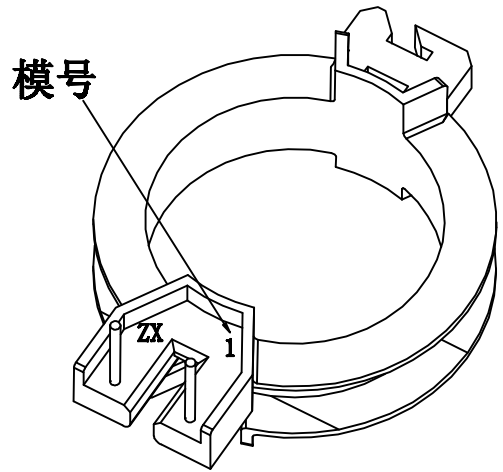
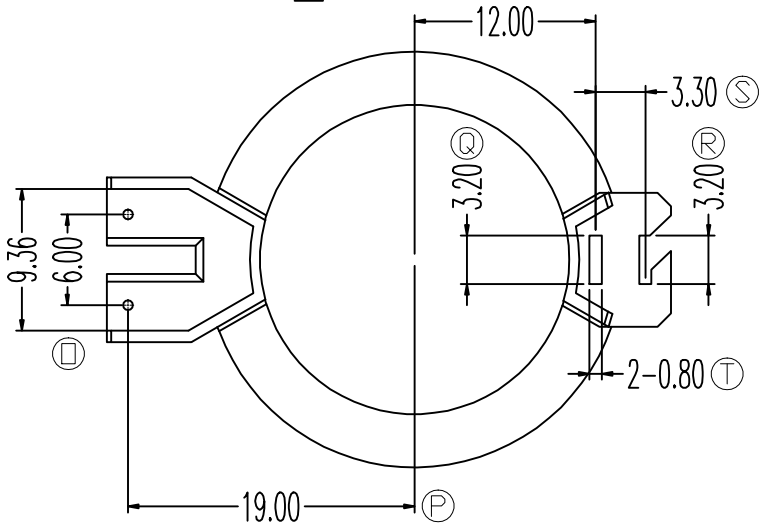
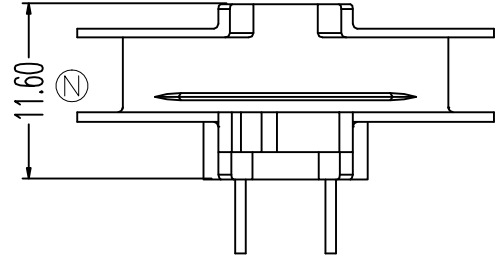
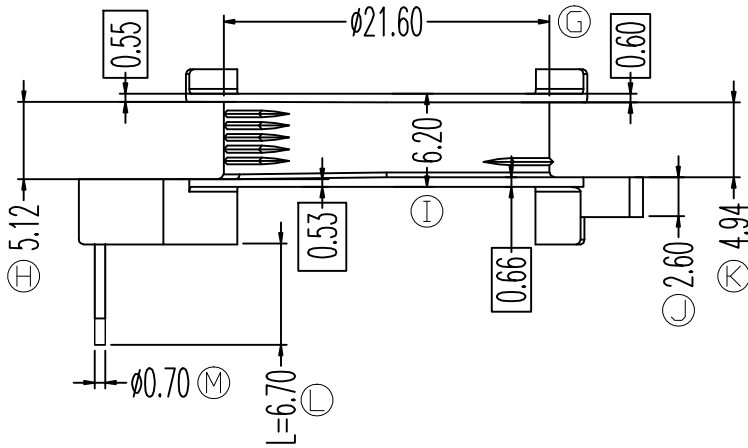
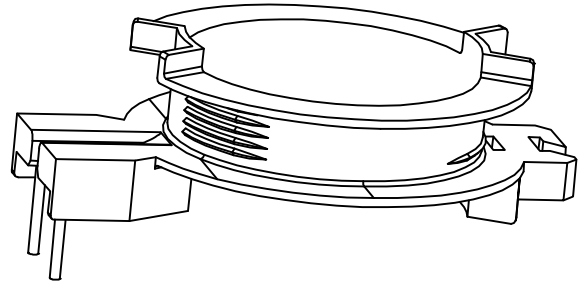
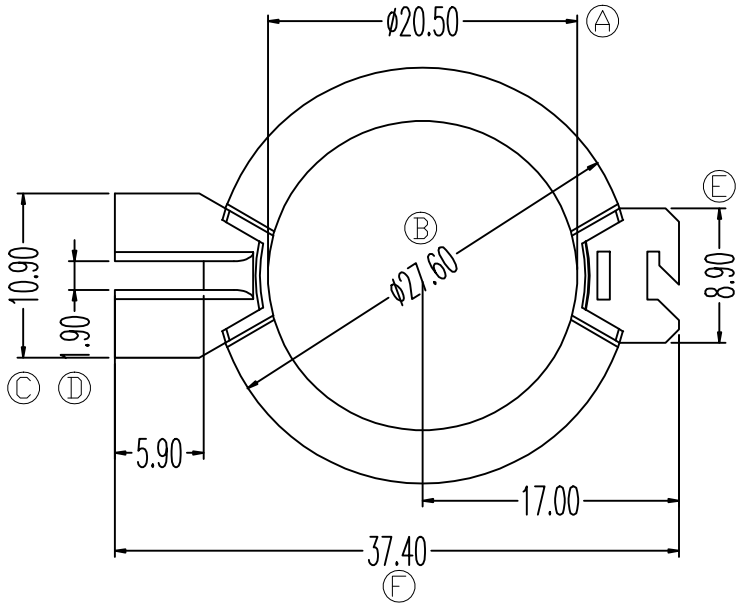


ZX-340-1



REV.	REVISIONS REC.		DATE	REV.	REVISIONS REC.		DATE		
1				4					
2				5					
3				6					
DRAWN & DRAFTED BY		LIU WEI QIANG		TOLERANCES		ANGLE: $\pm 1^\circ$		TITLE: PQ-3417(2P)	
CHECKED & APPROVED BY		LIN JUN		$0 < L \leq 4 \pm 0.1$ $4 < L \leq 16 \pm 0.2$ $16 < L \leq 63 \pm 0.3$		pin pitch ± 0.2		UNIT: MM	
智信电子塑胶有限公司 ZHI XIN ELECTRONICS PLASTIC CO., LTD. TEL: 0769-86389901-2 FAX: 0769-86389903				SCALE:		BOBBIN MATERIAL: PHENOLIC		UL REC. UL 94V-0	
				DATE: 2023.09.22		PIN MATERIAL: CP WIRE		PIN TENSION LOAD: 1.0KG MIN	
				DRAWING NO. ZX-340-1		REV. A01			