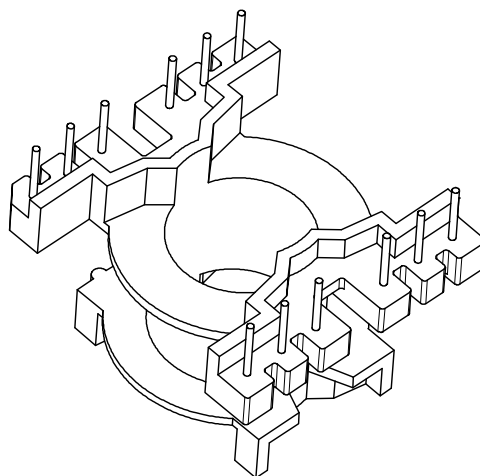
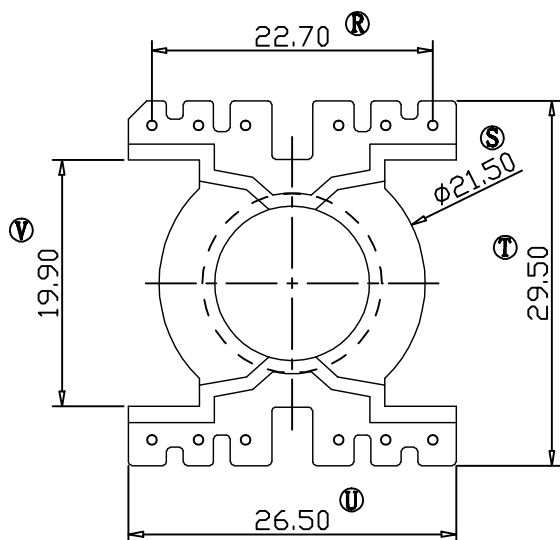
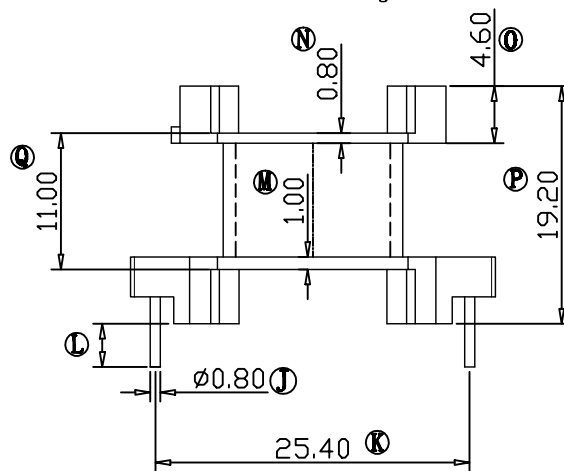
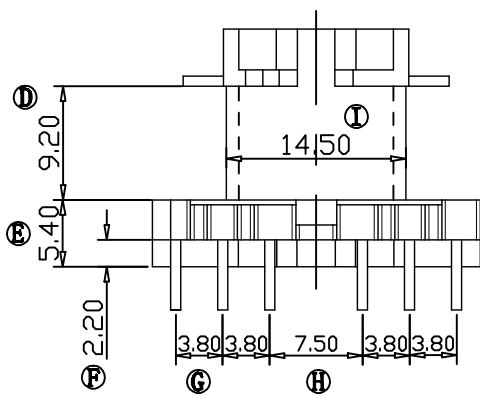
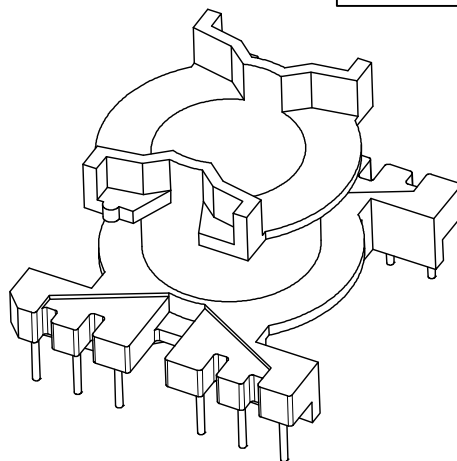
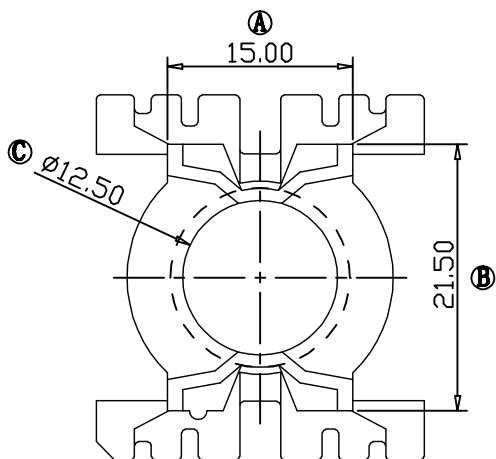


ZX-26C3



REV.	REVISIONS	REC.	DATE	REV.	REVISIONS	REC.	DATE
1				4			
2				5			
3				6			

DRAWN & DRAFTED BY	LIU WEI QIANG	TOLERANCES		ANGLE:	TITLE: PQ-2620(6+6P)			
		0<L≤4 ±0.1	pin pitch ±0.2	±1°				
CHECKED & APPROVED BY	LI JUN	4<L≤16 ±0.2			UNIT:	BOBBIN MATERIAL:	PHENOLIC	UL REC. UL 94V-0
		16<L≤63 ±0.3		MM	PIN MATERIAL:	CP WIRE	PIN TENSION LOAD: 1.0KG MIN	
SCALE:				DATE:	2023.10.10	DRAWING NO.:	ZX-26C3	REV. A01



智信电子塑胶有限公司

ZHI XIN ELECTRONICS PLASTIC CO., LTD.
TEL:0769-86389901-2 FAX:0769-86389903

