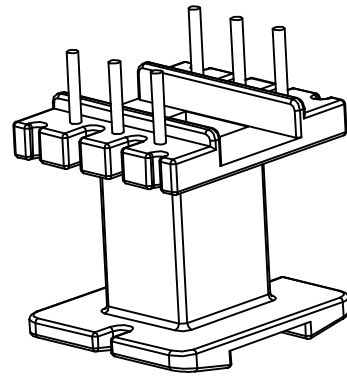
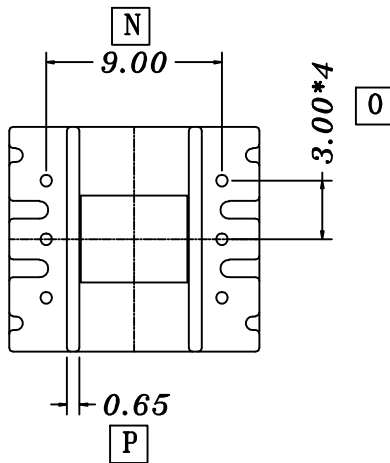
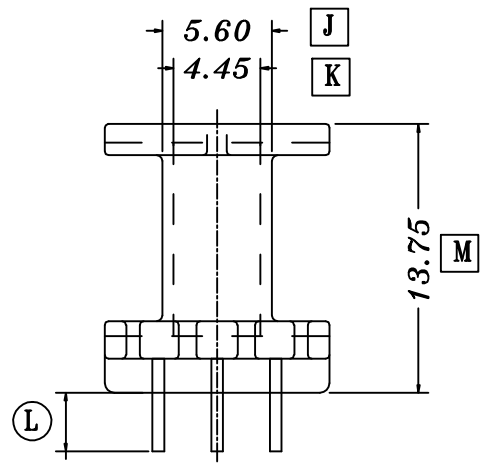
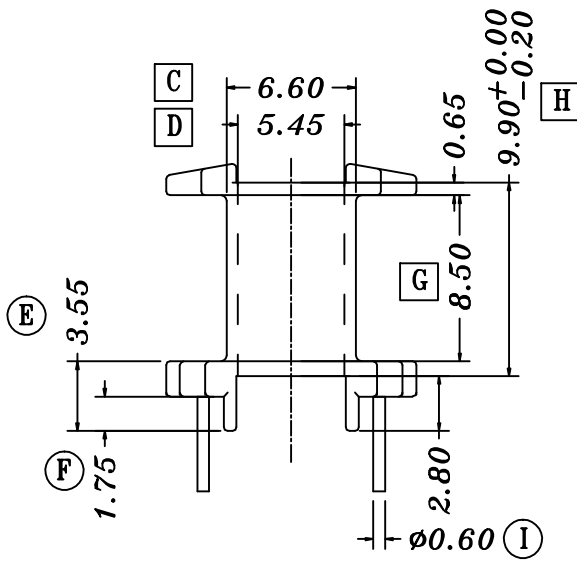
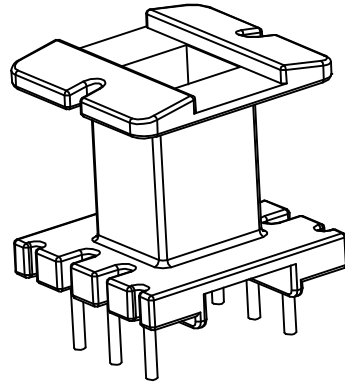
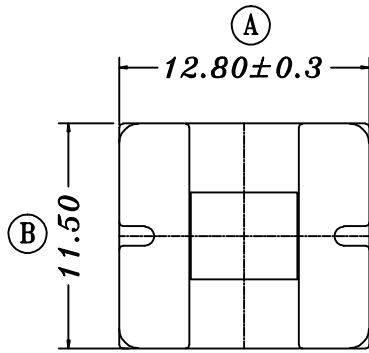


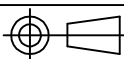
# ZX-16BK1



REV.	REVISIONS REC.	DATE	REV.	REVISIONS REC.	DATE
1			4		
2			5		
3			6		
<b>DRAWN &amp; DRAFTED BY</b>		<b>TOLERANCES</b>		<b>ANGLE:</b>	<b>TITLE:</b>
<b>CHECKED &amp; APPROVED BY</b>	<b>CHEN LING</b>	0<L<4 ±0.1	pin pitch	±1°	<b>EE-16 (3+3P)</b>
		4<L<16 ±0.2		<b>UNIT:</b>	<b>BOBBIN MATERIAL:</b>
		16<L<63 ±0.3	±0.2	mm	<b>PHENOLIC</b>
				<b>SCALE:</b>	<b>UL REC.</b>
					<b>UL 94V-0</b>
				<b>DATE:</b>	<b>PIN MATERIAL:</b>
				2023.09.05	<b>CP WIRE</b>
				<b>DRAWING NO.</b>	<b>PIN TENSION LOAD:</b>
				<b>ZX-16BK1</b>	<b>0.8KG MIN</b>
				<b>REV.</b>	<b>A01</b>



**智信电子塑胶有限公司**  
**ZHI XIN ELECTRONICS PLASTIC CO., LTD.**  
 TEL:0769-86389901-2 FAX:0769-86389903



**DATE:** 2023.09.05

**DRAWING NO.**

**ZX-16BK1**

**REV.**  
**A01**