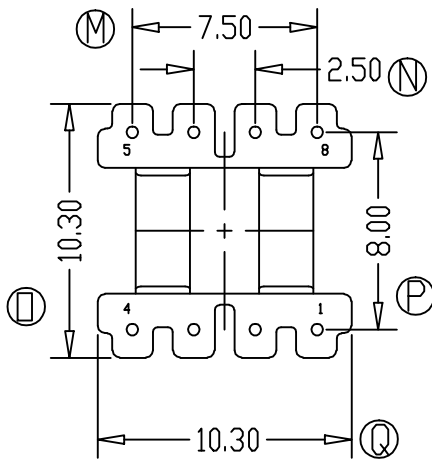
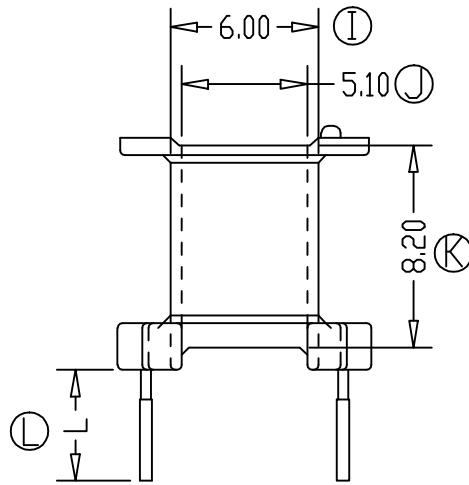
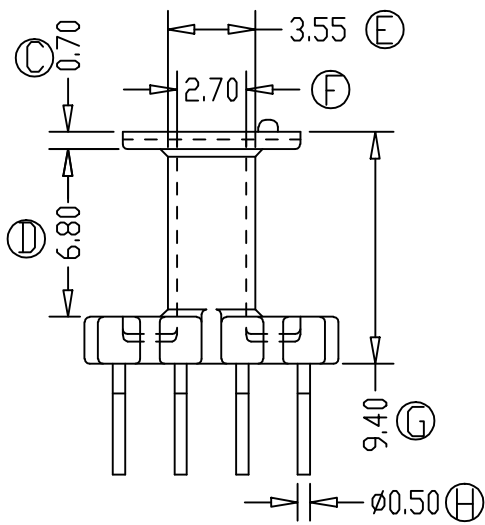
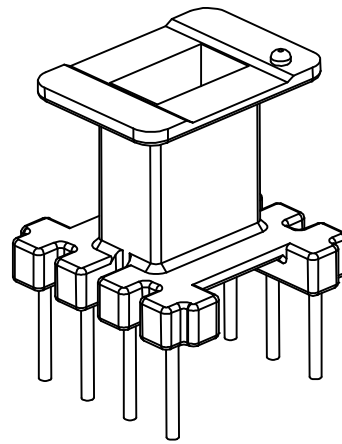
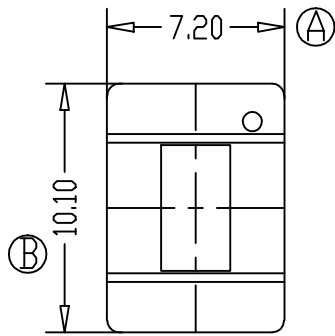
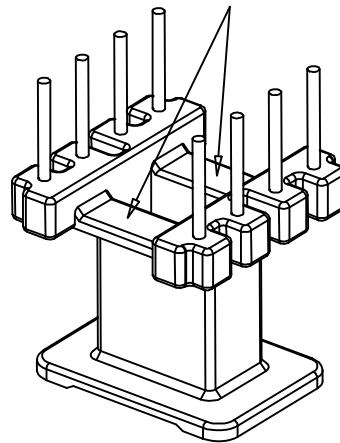


ZX-10J



插PIN的一边叶片加厚0.30mm



项次	REVISIONS REC.	DATE	项次	REVISIONS REC.	DATE
1	插PIN的一边叶片加厚0.30mm, (K)尺寸由7.90改为8.20	2023.08.26	4		
2			5		
3			6		
DRAWN & DRAFTED BY	LIU WEI QIANG	TOLERANCES	ANGLE:	TITLE: EE-10(4+4P)	
CHECKED & APPROVED BY	MA BU JIAN	0 < L ≤ 4 ±0.1 4 < L ≤ 16 ±0.2 16 < L ≤ 63 ±0.3	UNIT:	BOBBIN MATERIAL:	UL REC.
		pin pitch ±0.2	MM	PHENOLIC	UL 94V-0
			SCALE:	PIN MATERIAL:	PIN TENSION LOAD:
				CP WIRE	0.7KG MIN
				DATE:	DRAWING NO.
				2023.08.26	ZX-10J
					REV. A02



智信电子塑胶有限公司  
ZHI XIN ELECTRONICS PLASTIC CO., LTD.  
TEL:0769-86389901-2 FAX:0769-86389903

