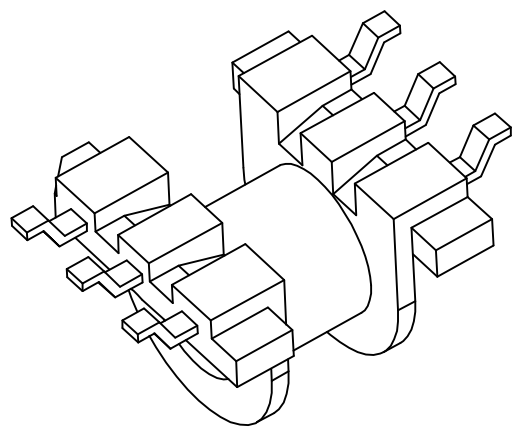
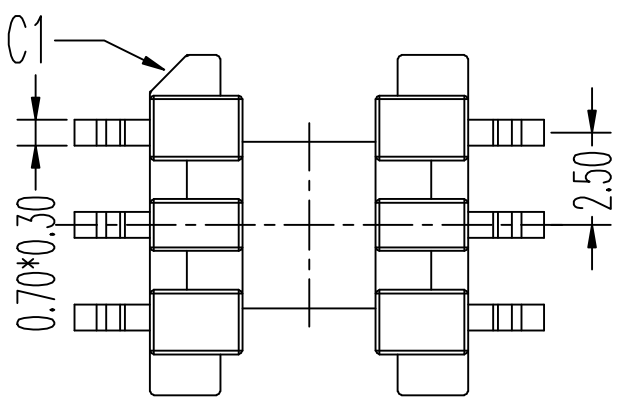
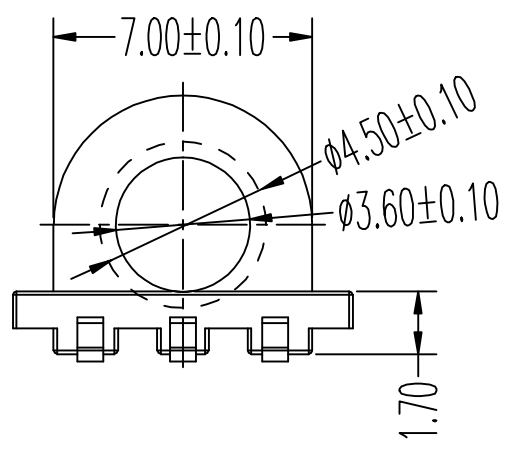
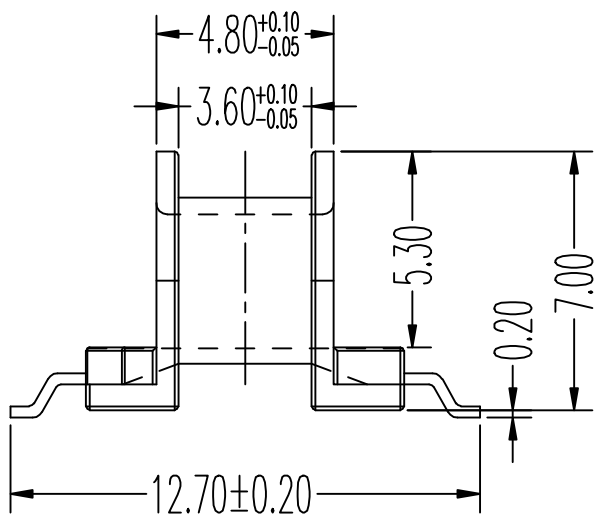
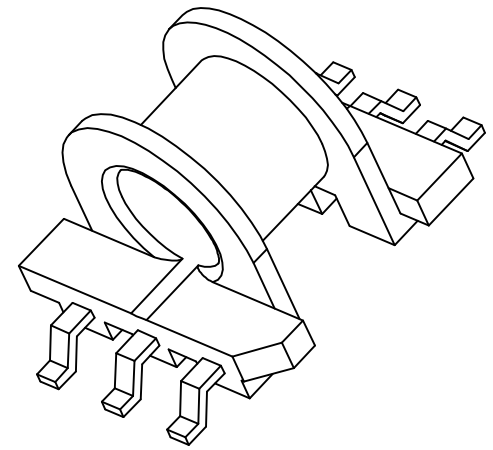
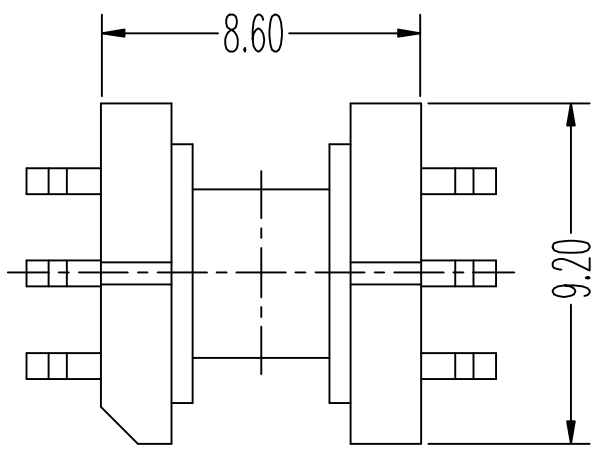


ZXS-7B



REV.	REVISIONS	REC.	DATE	REV.	REVISIONS	REC.	DATE
1				4			
2				5			
3				6			
DRAWN & DRAFTED BY		LIU WEI QIANG		TOLERANCES		ANGLE: $\pm 1^\circ$	
CHECKED & APPROVED BY		LI JUN		$0 < L \leq 4 \pm 0.1$ $4 < L \leq 16 \pm 0.2$ $16 < L \leq 63 \pm 0.3$		pin pitch ± 0.2 UNIT: MM SCALE:	
TITLE: EP-7(3+3P)				BOBBIN MATERIAL: PM-9630		UL REC. UL 94V-0	
智信电子塑胶有限公司				PIN MATERIAL: C5191		PIN TENSION LOAD: 1.0KG MIN	
ZHI XIN ELECTRONICS PLASTIC CO., LTD.				DATE: 2010.08.11		DRAWING NO. ZXS-7B	
TEL:0769-86389901-2 FAX:0769-86389903				REV. A01			