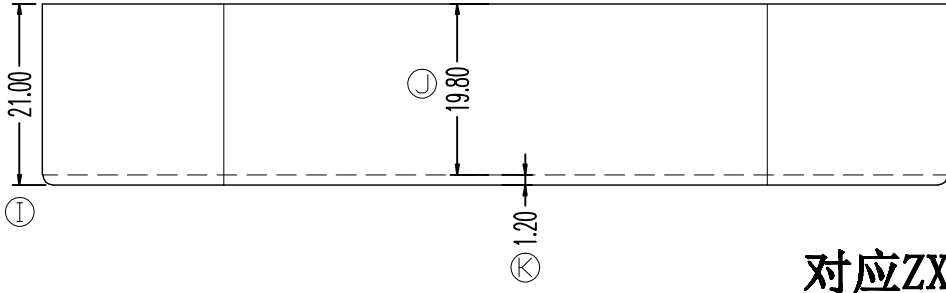
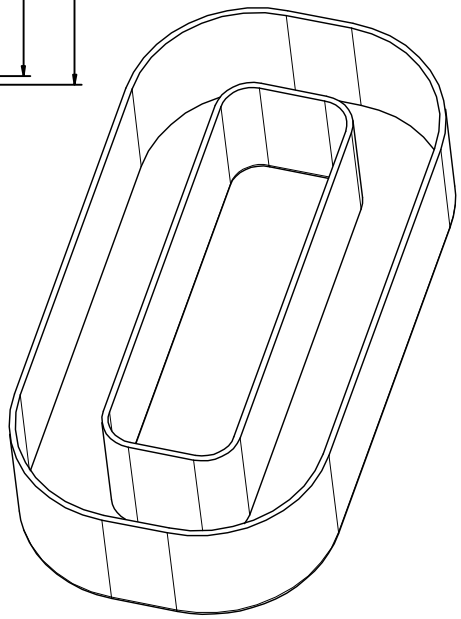
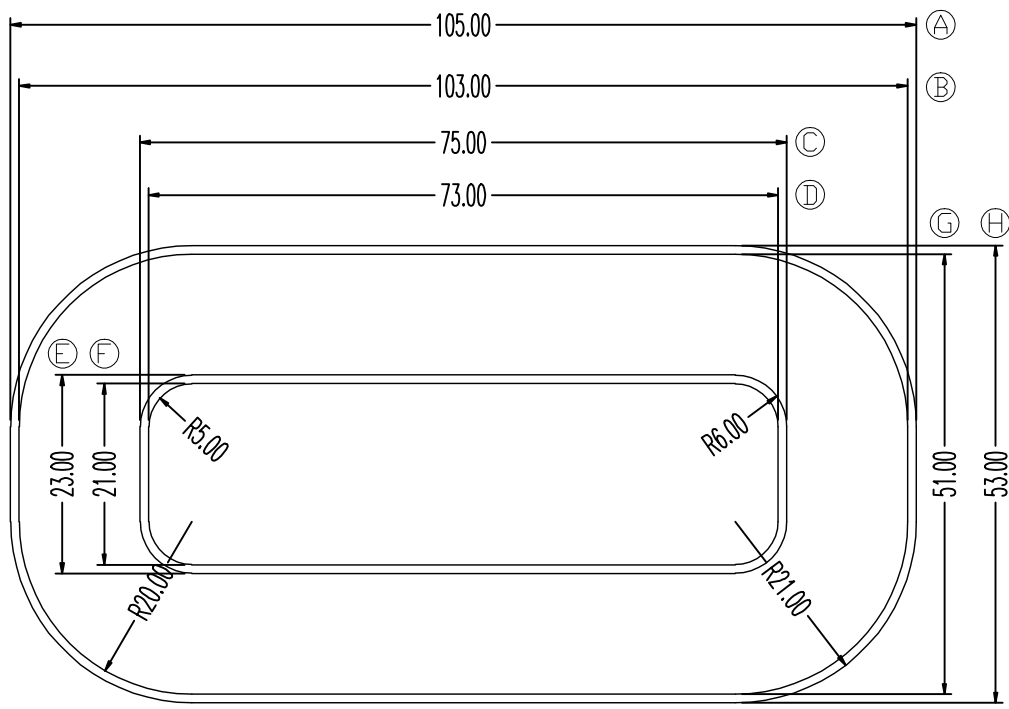


ZX-C089



对应ZX-B161, ZX-C089-1

REV.	REVISIONS REC.		DATE	REV.	REVISIONS REC.		DATE		
1				4					
2				5					
3				6					
DRAWN & DRAFTED BY		LIU WEI QIANG		TOLERANCES		ANGLE: $\pm 1^\circ$		TITLE: NI4 CASE	
CHECKED & APPROVED BY		LIN JUN		$0 < L \leq 4 \pm 0.1$ $4 < L \leq 16 \pm 0.2$ $16 < L \leq 63 \pm 0.3$		pin pitch $\pm 0.2$		UNIT: MM	
智信电子塑胶有限公司				SCALE:		PIN MATERIAL:		BOBBIN MATERIAL: FR530(BK)	
ZXE ZHI XIN ELECTRONICS PLASTIC CO., LTD.				DATE: 2023.06.26		DRAWING NO. ZX-C089		UL REC. UL 94V-0	
TEL:0769-86389901-2 FAX:0769-86389903				PIN TENSION LOAD:		REV. A01			