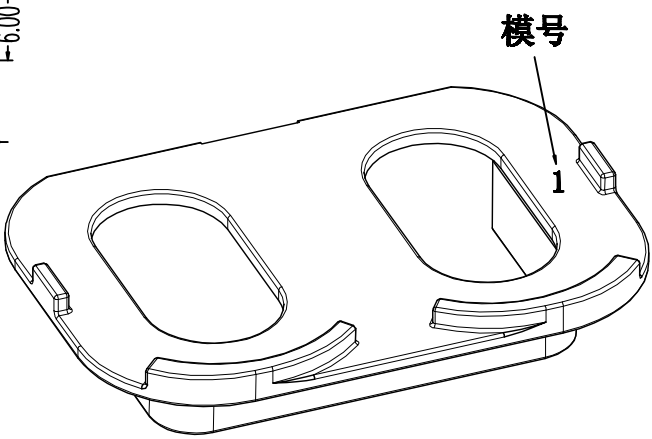
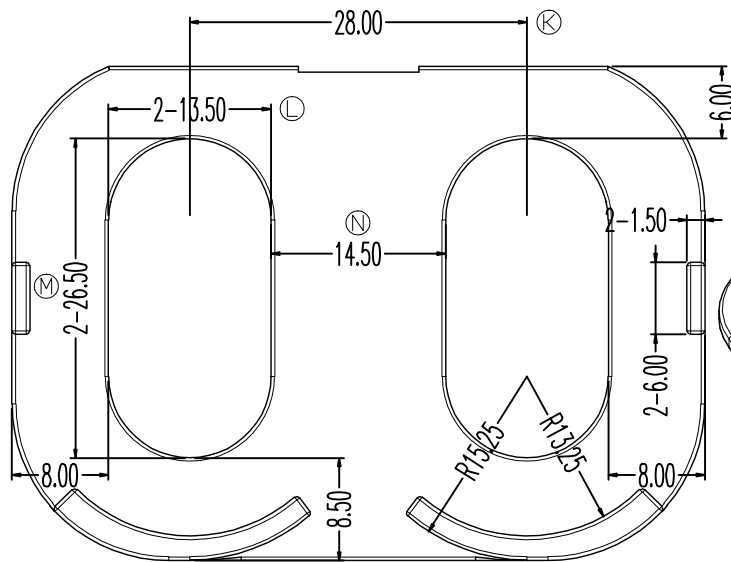
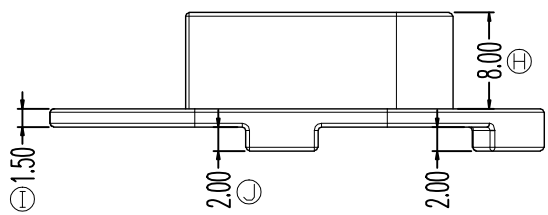
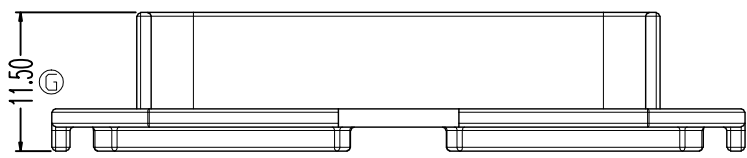
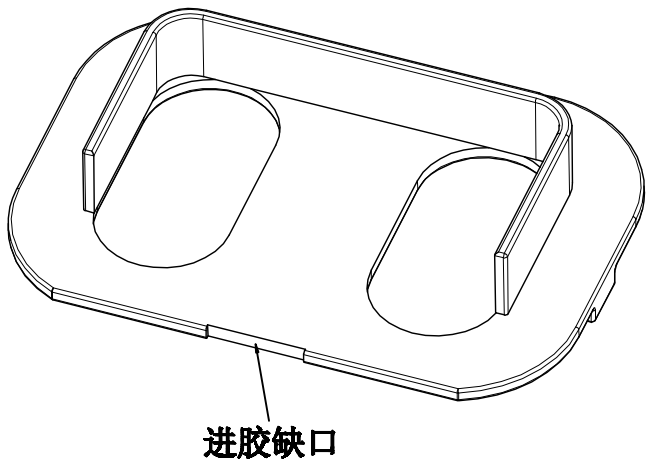
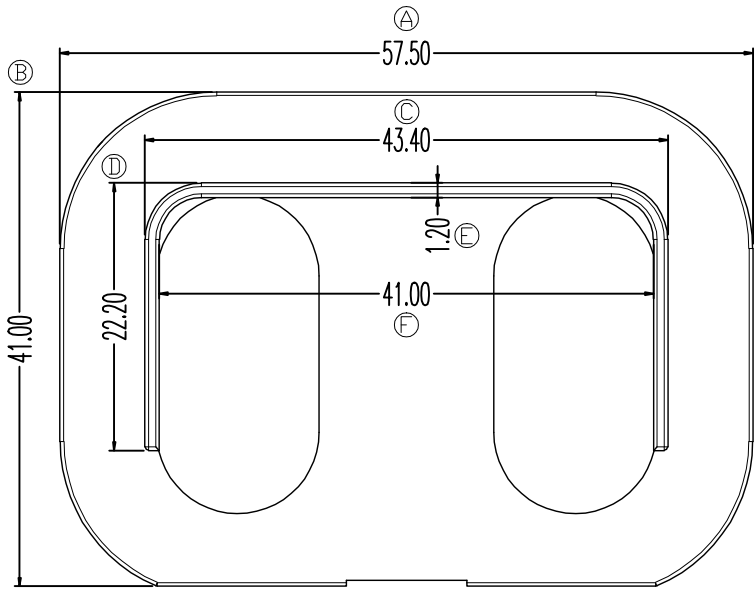


ZX-B163



REV.	REVISIONS	REC.	DATE	REV.	REVISIONS	REC.	DATE
1				4			
2				5			
3				6			
DRAWN & DRAFTED BY		LIU WEI QIANG		TOLERANCES		ANGLE: ±1°	
CHECKED & APPROVED BY		LIN JUN		0<L≤4 ±0.1		TITLE: BOARD549B	
				4<L≤16 ±0.2		BOBBIN MATERIAL: FR530本色(国产)	
				16<L≤63 ±0.3		UL REC. UL 94V-0	
				pin pitch ±0.2		PIN MATERIAL:	
				UNIT: MM		PIN TENSION LOAD:	
				SCALE:		DATE: 2023.07.29	
				DRAWING NO. ZX-B163		REV. A01	

ZXE 智信电子塑胶有限公司
 ZHI XIN ELECTRONICS PLASTIC CO., LTD.
 TEL:0769-86389901-2 FAX:0769-86389903