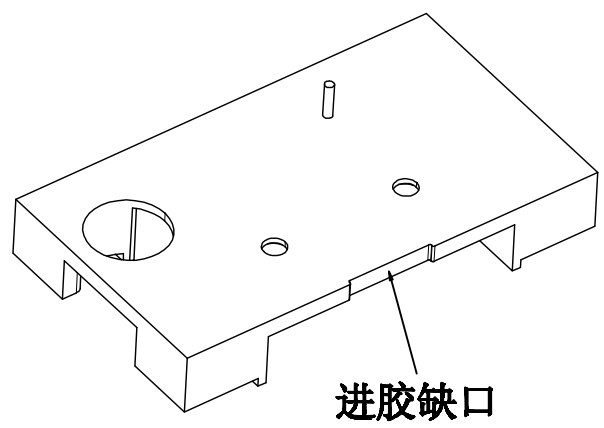
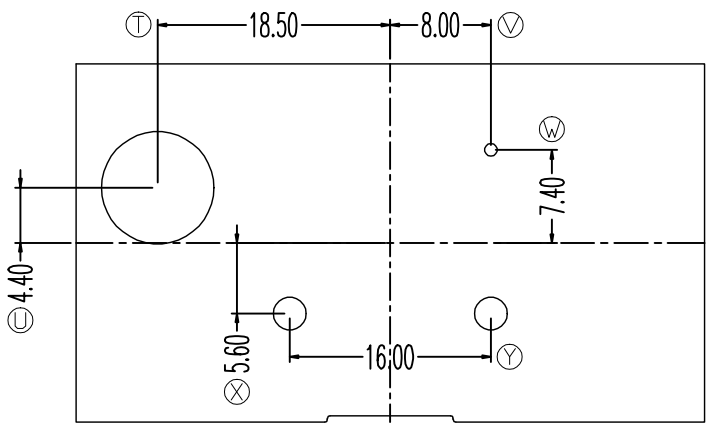
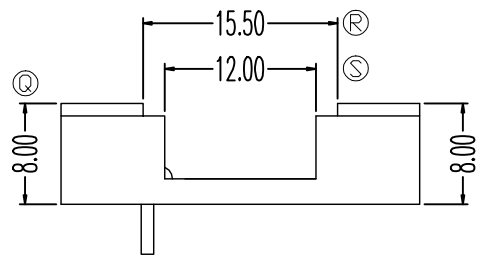
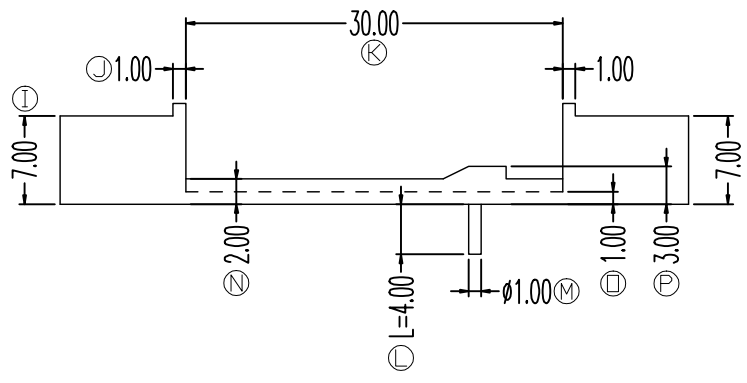
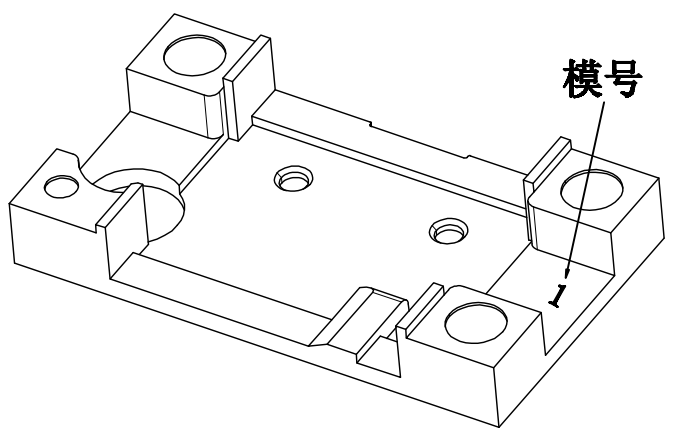
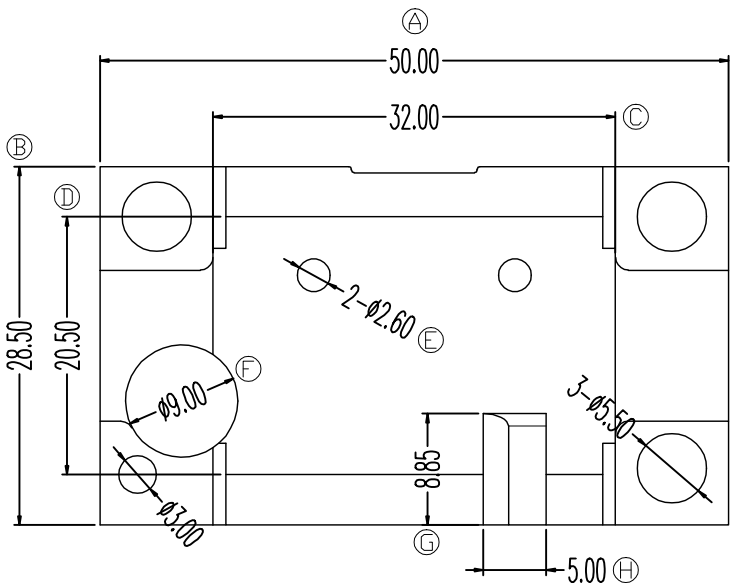


ZX-B162



REV.	REVISIONS	REC.	DATE	REV.	REVISIONS	REC.	DATE
1				4			
2				5			
3				6			
DRAWN & DRAFTED BY		LIU WEI QIANG		TOLERANCES		ANGLE: $\pm 1^\circ$	
CHECKED & APPROVED BY		LIN JUN		$0 < L \leq 4 \pm 0.1$ $4 < L \leq 16 \pm 0.2$ $16 < L \leq 63 \pm 0.3$		UNIT: MM	
				SCALE:		TITLE: LTL50Q2844 BASE	
				BOBBIN MATERIAL: PHENOLIC		UL REC. UL 94V-0	
				PIN MATERIAL: CP WIRE		PIN TENSION LOAD: 1.5KG MIN	
				DATE: 2023.07.17		DRAWING NO. ZX-B162	
						REV. A01	

ZXE 智信电子塑胶有限公司
ZHI XIN ELECTRONICS PLASTIC CO., LTD.
 TEL: 0769-86389901-2 FAX: 0769-86389903