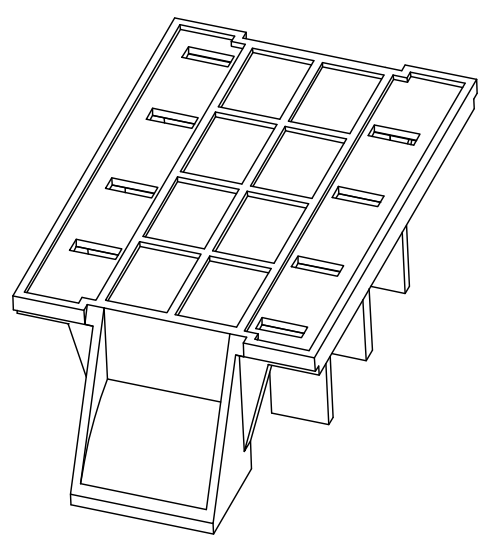
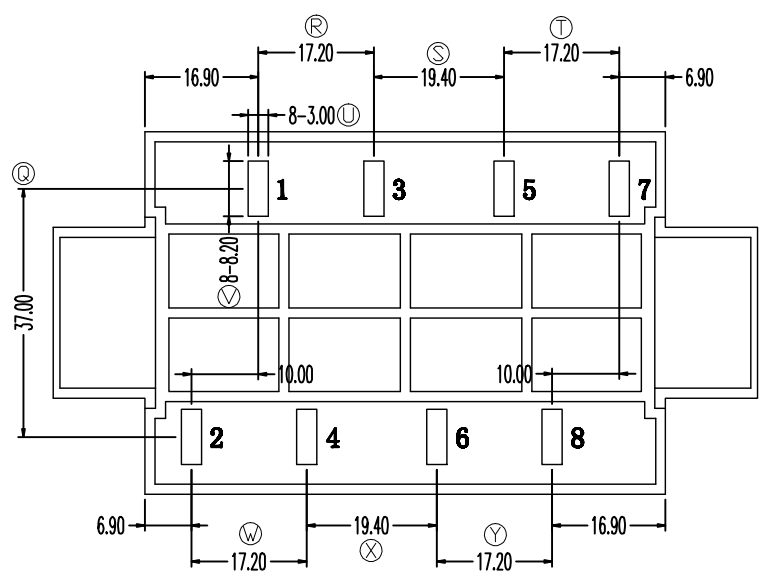
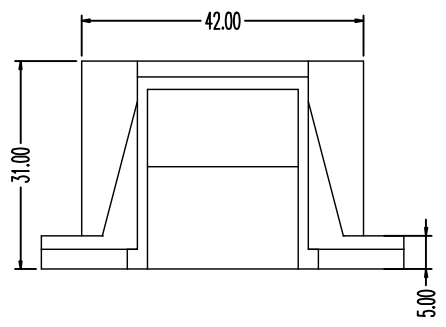
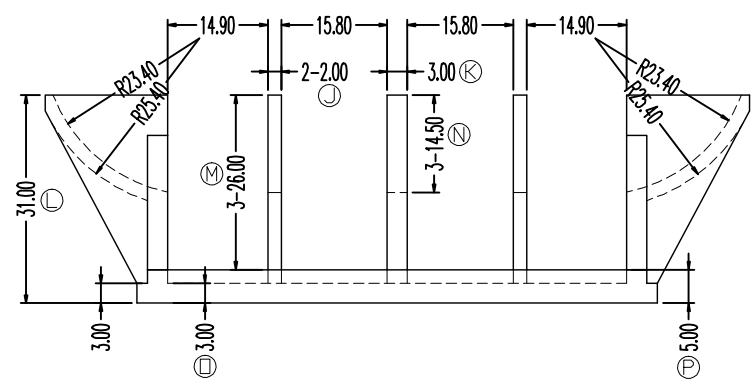
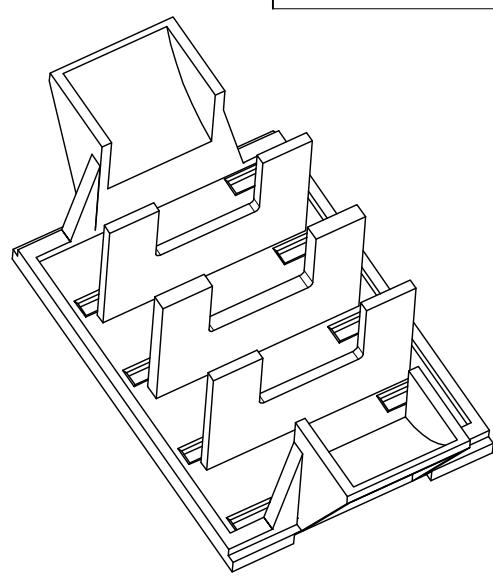
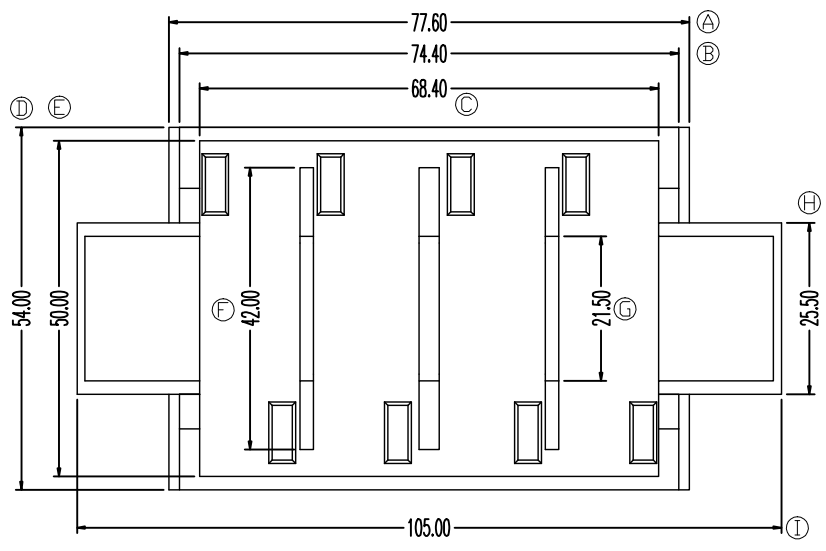


ZX-B161



对应ZX-C089, ZX-C089-1

REV.	REVISIONS	REC.	DATE	REV.	REVISIONS	REC.	DATE
1				4			
2				5			
3				6			
DRAWN & DRAFTED BY		LIU WEI QIANG		TITLE:		NI4 BASE	
CHECKED & APPROVED BY		LIN JUN		UNIT:		MM	
		TOLERANCES		BOBBIN MATERIAL:		PPS(BK)	
		0<L≤4 ±0.1		PIN MATERIAL:		UL REC. UL 94V-0	
		4<L≤16 ±0.2		PIN TENSION LOAD:			
		16<L≤63 ±0.3		DATE:		2023.07.07	
		pin pitch ±0.2		DRAWING NO.:		ZX-B161	
		SCALE:		REV.:		A01	
		