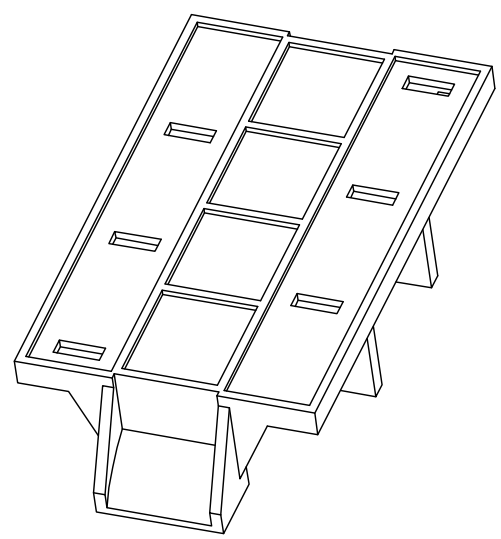
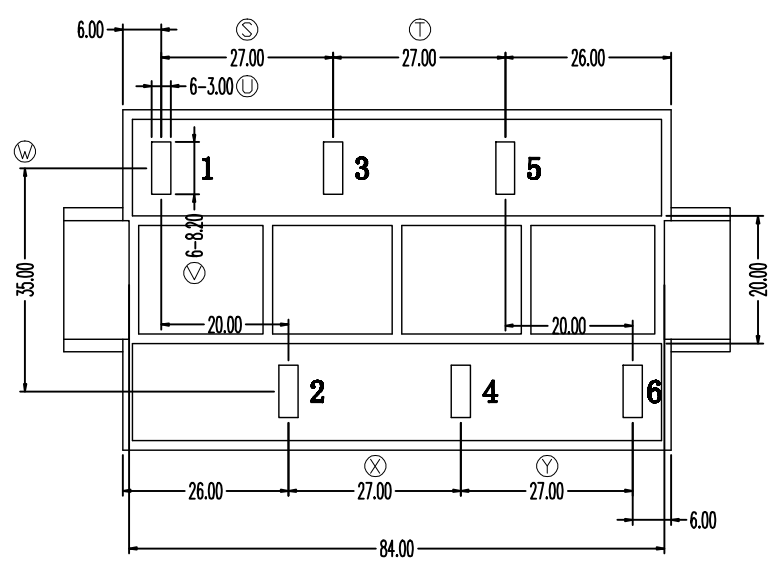
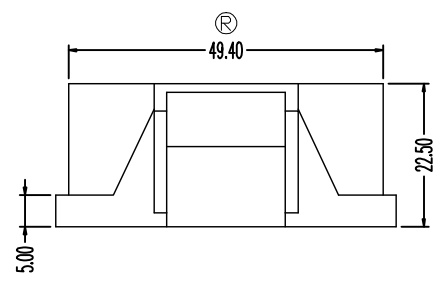
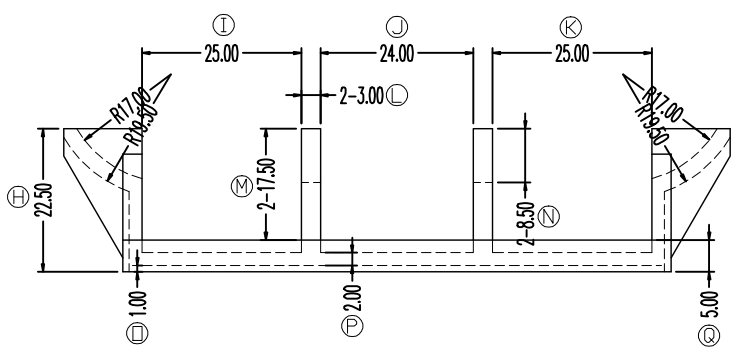
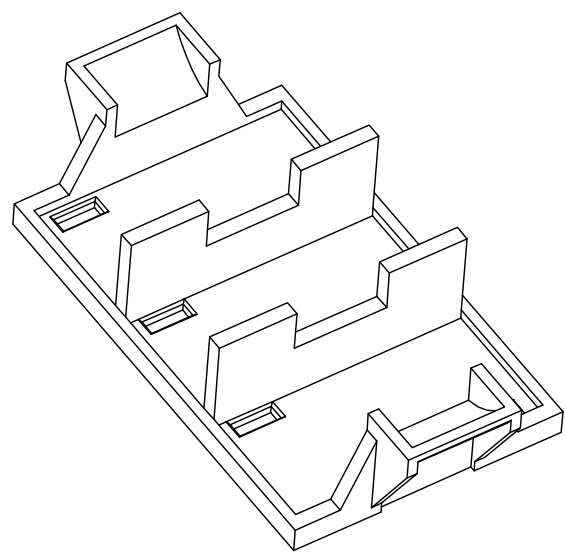
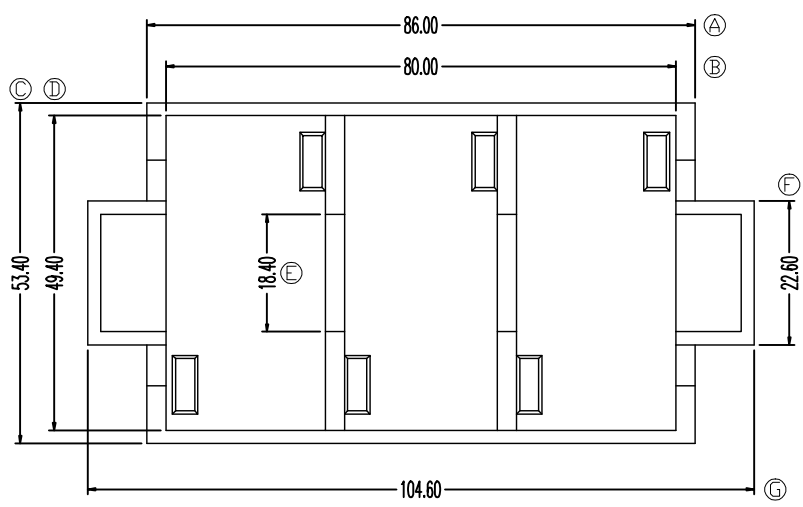


ZX-B160



对应ZX-C088, ZX-C088-1

REV.	REVISIONS		REC.	DATE	REV.	REVISIONS		REC.	DATE
1					4				
2					5				
3					6				
DRAWN & DRAFTED BY		LIU WEI QIANG		TOLERANCES		ANGLE:		TITLE:	
CHECKED & APPROVED BY		LIN JUN		$0 < L \leq 4 \pm 0.1$ $4 < L \leq 16 \pm 0.2$ $16 < L \leq 63 \pm 0.3$		$\pm 1^\circ$ UNIT: MM		D3H1027 BASE BOBBIN MATERIAL: PPS(BK)	
						SCALE:		UL REC. UL 94V-0 PIN TENSION LOAD:	
						DATE: 2023.07.07		DRAWING NO. ZX-B160	
								REV. A01	


智信电子塑胶有限公司
ZHI XIN ELECTRONICS PLASTIC CO., LTD.
 TEL: 0769-86389901-2 FAX: 0769-86389903