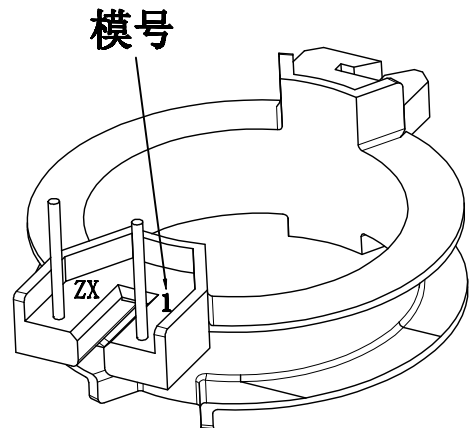
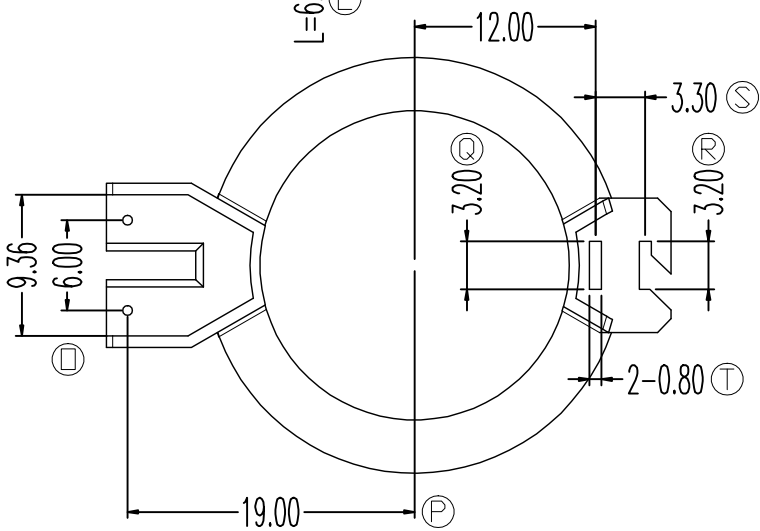
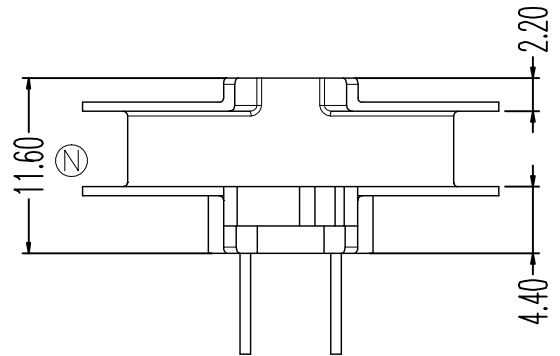
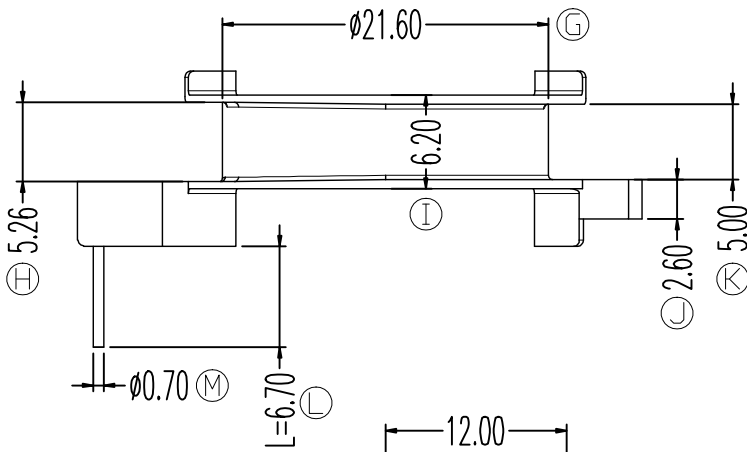
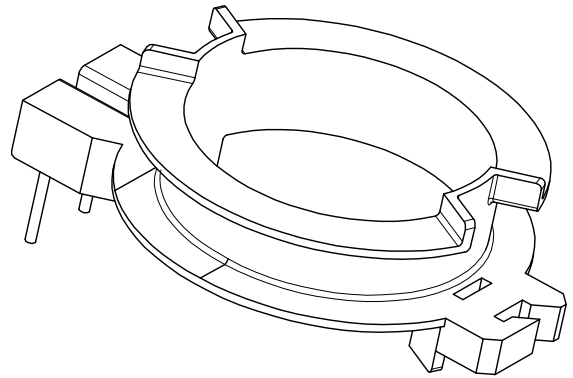
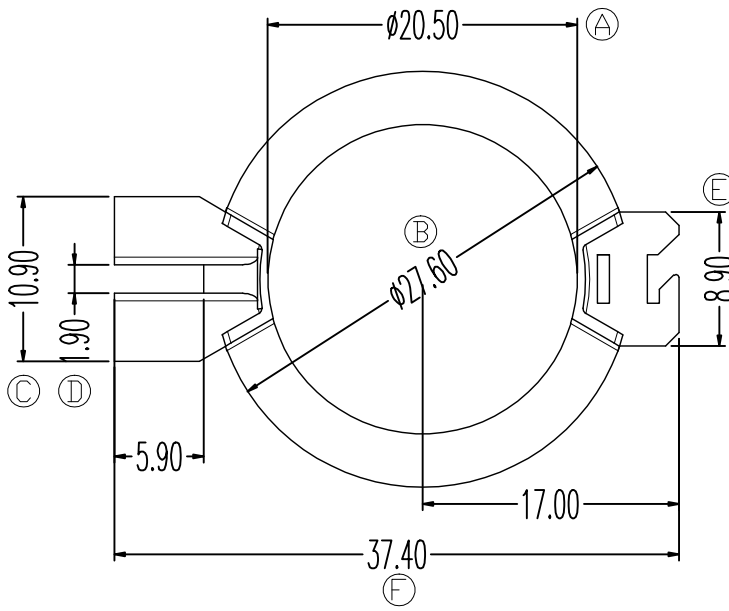


# ZX-340



REV.	REVISIONS	REC.	DATE	REV.	REVISIONS	REC.	DATE
1				4			
2				5			
3				6			
DRAWN & DRAFTED BY		LIU WEI QIANG		TOLERANCES		ANGLE: $\pm 1^\circ$	
CHECKED & APPROVED BY		LIN JUN		$0 < L \leq 4 \pm 0.1$ $4 < L \leq 16 \pm 0.2$ $16 < L \leq 63 \pm 0.3$		UNIT: MM	
				pin pitch $\pm 0.2$		TITLE: PQ-3417(2P)	
				SCALE:		BOBBIN MATERIAL: PHENOLIC	
				DATE: 2023.07.05		UL REC. UL 94V-0	
				DRAWING NO. ZX-340		PIN MATERIAL: CP WIRE	
				REV. A01		PIN TENSION LOAD: 1.0KG MIN	