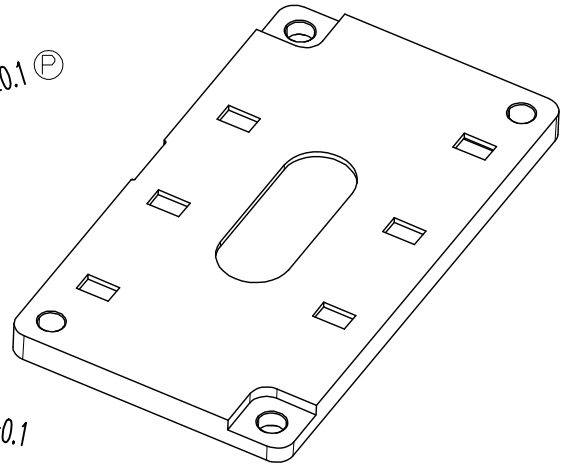
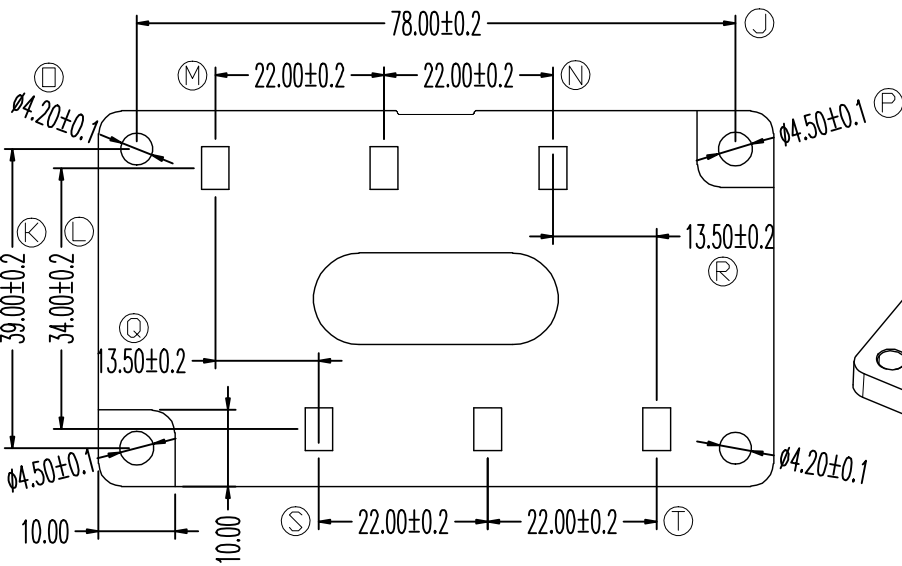
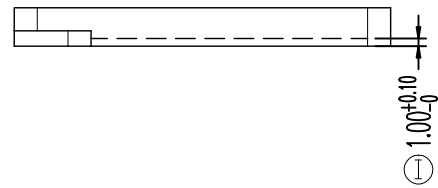
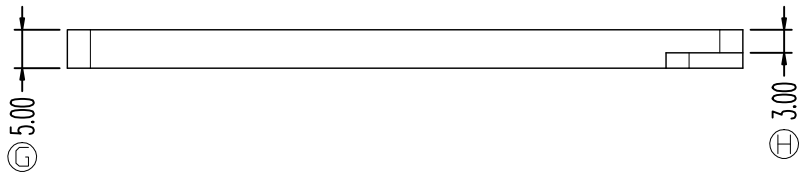
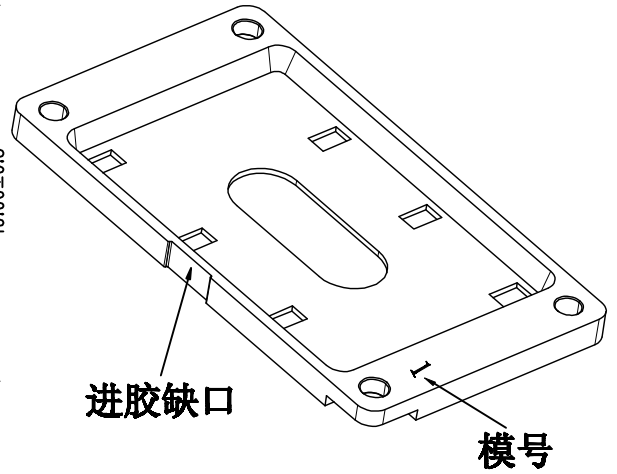
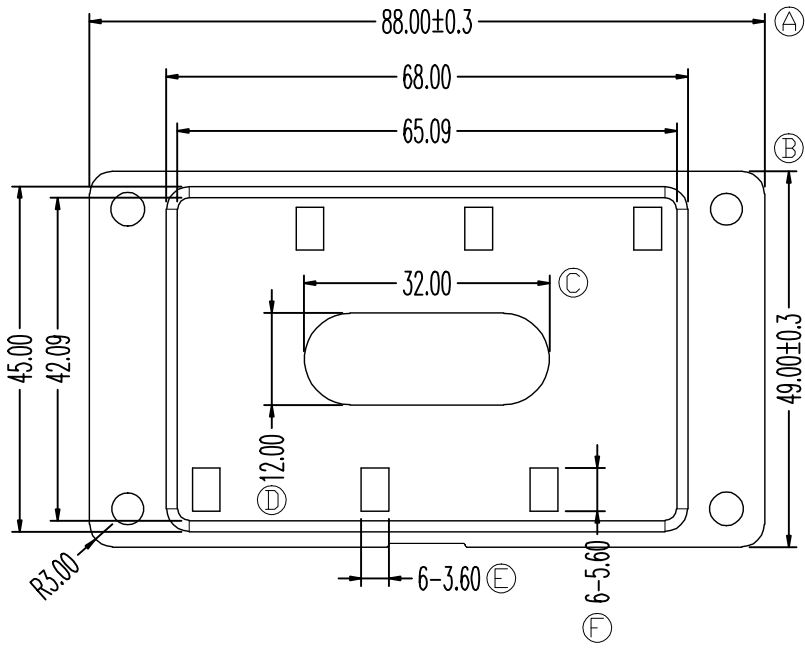


ZX-B156



REV.	REVISIONS	REC.	DATE	REV.	REVISIONS	REC.	DATE
1				4			
2				5			
3				6			
DRAWN & DRAFTED BY		LIU WEI QIANG		TOLERANCES		ANGLE: $\pm 1^\circ$	
CHECKED & APPROVED BY		LIN JUN		0<L≤4 ±0.1		TITLE: ME-048(BASE)	
				4<L≤16 ±0.2		UNIT: MM	
				16<L≤63 ±0.3		BOBBIN MATERIAL: PPS A504X90(BK)	
				pin pitch ±0.2		UL REC. UL 94V-0	
				SCALE:		PIN MATERIAL:	
				DATE: 2023.06.12		DRAWING NO. ZX-B156	
				REV. A01			

智信电子塑胶有限公司
ZXE ZHI XIN ELECTRONICS PLASTIC CO., LTD.
 TEL: 0769-86389901-2 FAX: 0769-86389903