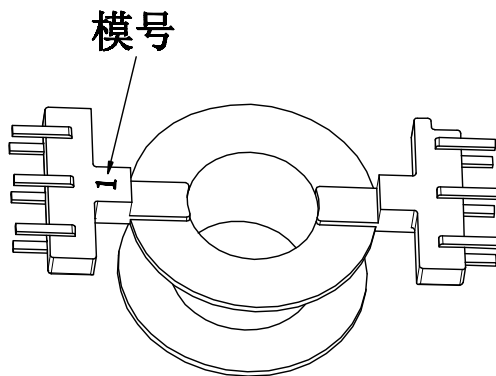
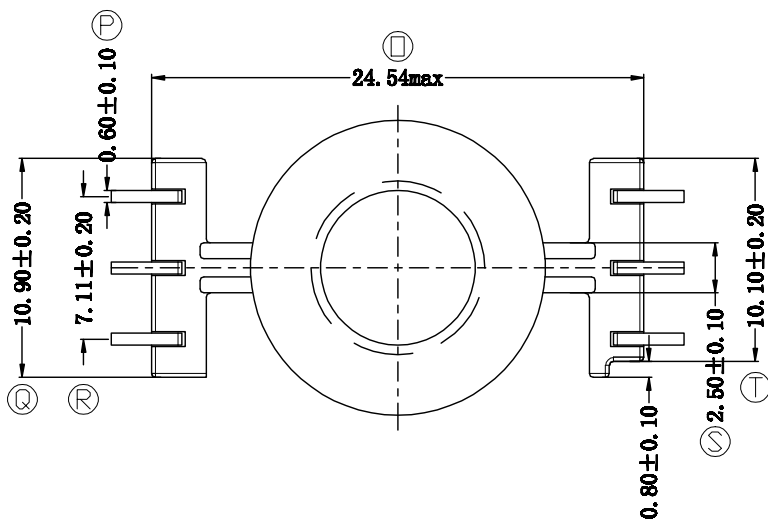
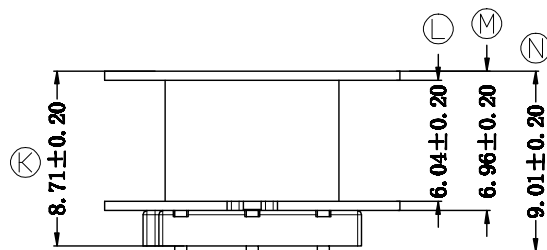
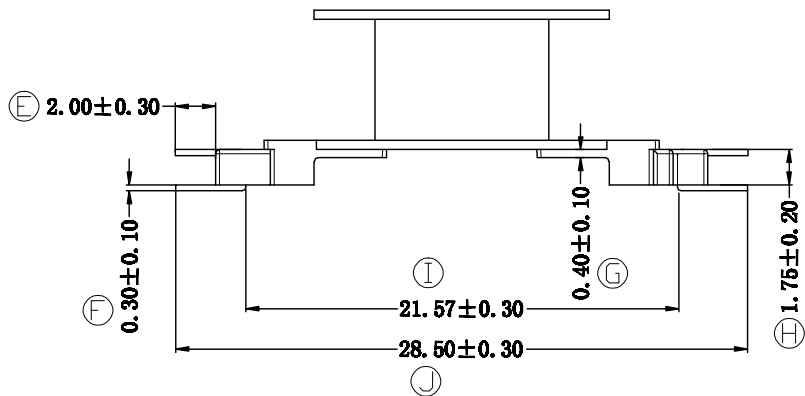
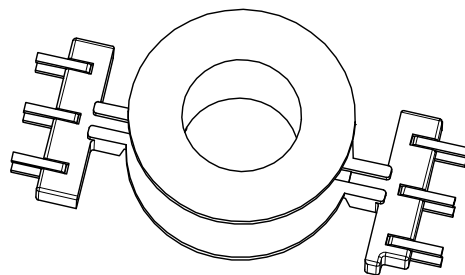
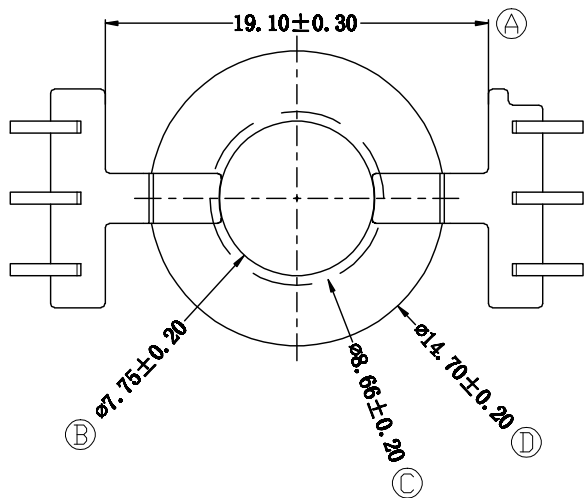


ZX-18E



REV.	REVISIONS	REC.	DATE	REV.	REVISIONS	REC.	DATE
1				4			
2				5			
3				6			
DRAWN & DRAFTED BY	LIU WEI QIANG		TOLERANCES	ANGLE:	TITLE: GU-18(3+3P)		
CHECKED & APPROVED BY	LIN JUN		0<L≤4 ±0.1 4<L≤16 ±0.2 16<L≤63 ±0.3	pin pitch ±0.2	UNIT:	BOBBIN MATERIAL: LCP E4008	UL REC. UL 94V-0
智信电子塑胶有限公司			SCALE:	PIN MATERIAL: C5191	PIN TENSION LOAD: 10N MIN		
ZXE ZHI XIN ELECTRONICS PLASTIC CO., LTD.			DATE:	2023.06.05	DRAWING NO.	ZX-18E	REV. A01
TEL:0769-86389901-2 FAX:0769-86389903							