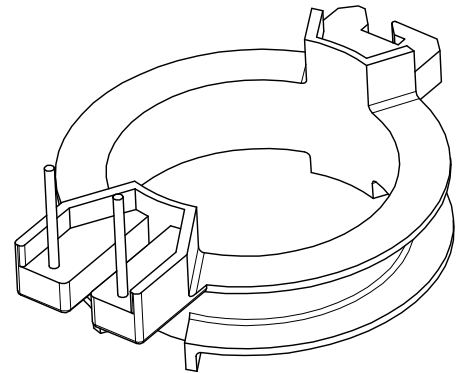
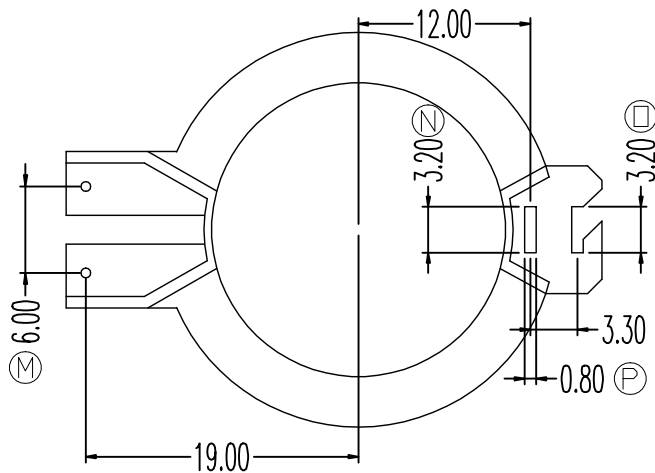
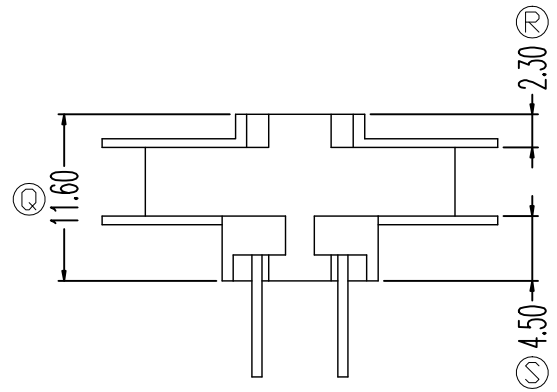
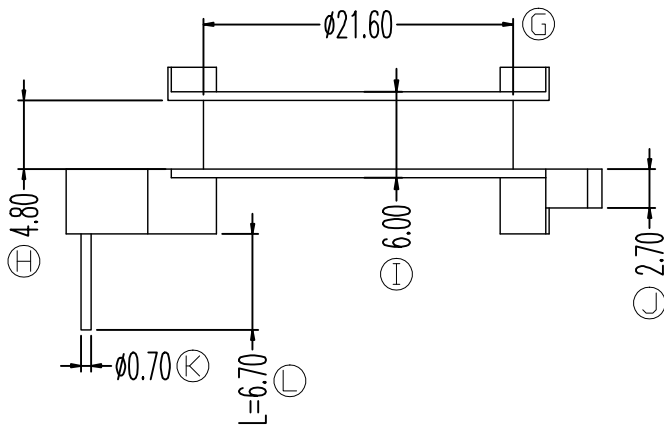
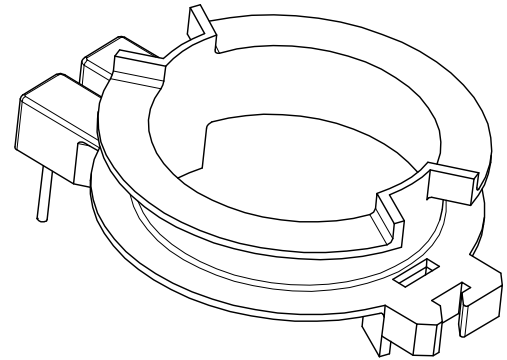
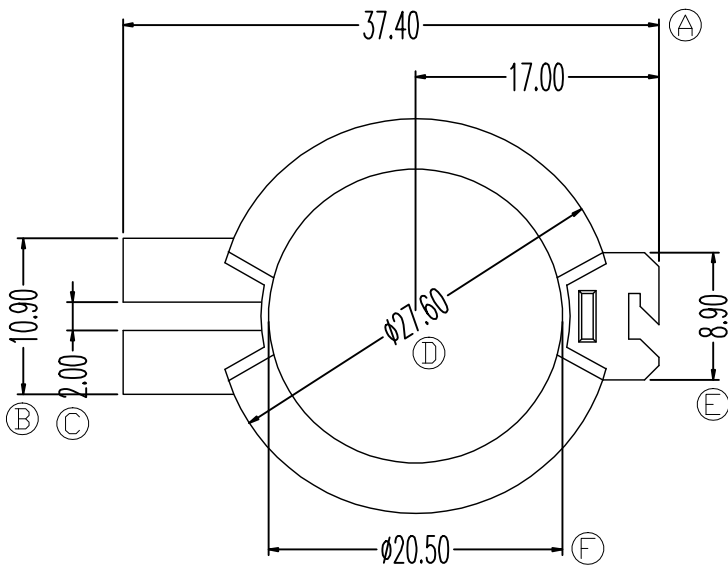


ZX-34N



REV.	REVISIONS REC.		DATE	REV.	REVISIONS REC.		DATE
1				4			
2				5			
3				6			
DRAWN & DRAFTED BY		LIU WEI QIANG		TOLERANCES		ANGLE: $\pm 1^\circ$	
CHECKED & APPROVED BY		LIN JUN		pin pitch		UNIT: MM	
				0 < L ≤ 4 ± 0.1		TITLE: PQ-3419(2P)	
				4 < L ≤ 16 ± 0.2		BOBBIN MATERIAL: PHENOLIC	
				16 < L ≤ 63 ± 0.3		UL REC. UL 94V-0	
智信电子塑胶有限公司 ZHI XIN ELECTRONICS PLASTIC CO., LTD. TEL: 0769-86389901-2 FAX: 0769-86389903				SCALE:		PIN MATERIAL: CP WIRE	
				DATE: 2023.05.10		DRAWING NO. ZX-34N	
						PIN TENSION LOAD: 1.0KG MIN	
						REV. A01	