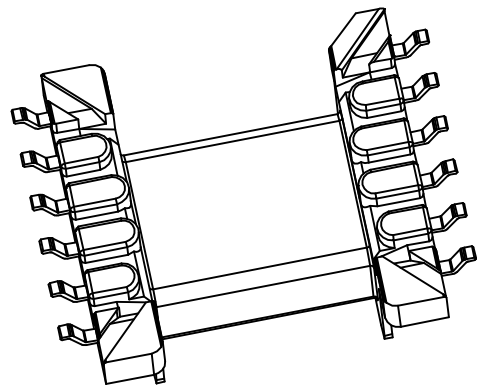
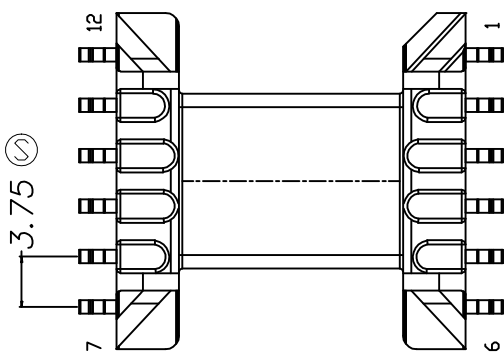
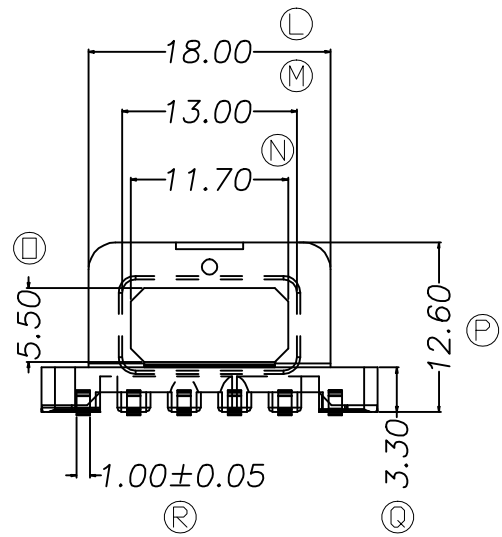
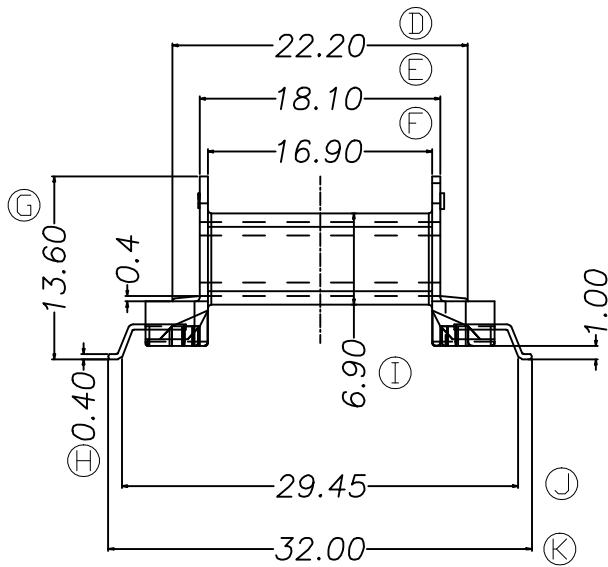
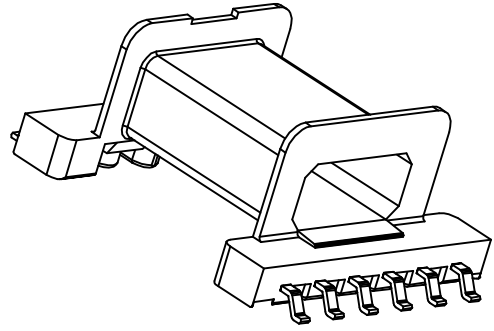
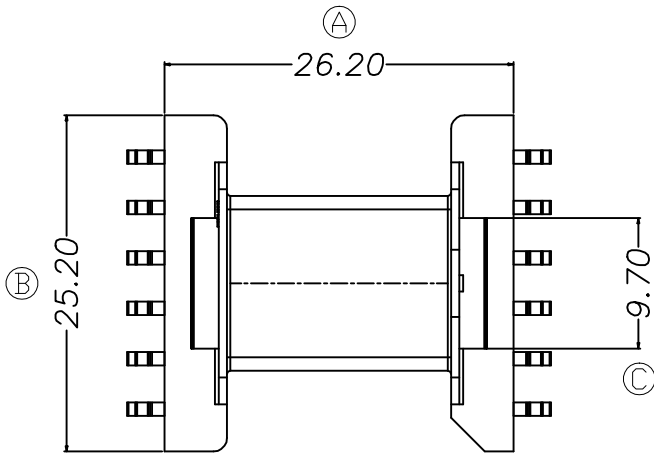


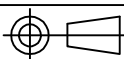
ZXS-25E1



REV.	REVISIONS REC.		DATE	REV.	REVISIONS REC.		DATE
1				4			
2				5			
3				6			
DRAWN & DRAFTED BY		LIU WEI QIANG		TOLERANCES		ANGLE: $\pm 1^\circ$	
CHECKED & APPROVED BY		LI QI YI		$0 < L \leq 4 \pm 0.1$ $4 < L \leq 16 \pm 0.2$ $16 < L \leq 63 \pm 0.3$		pin pitch $\pm 0.2$ UNIT: MM SCALE:	
TITLE:		EFD-25(6+6P)					
BOBBIN MATERIAL:		PHENOLIC			UL REC. UL 94V-0		
PIN MATERIAL:		CP WIRE			PIN TENSION LOAD: 0.8KG MIN		
DATE:		2023.02.07		DRAWING NO.		ZXS-25E1	
REV.		A01					



智信电子塑胶有限公司  
 ZHI XIN ELECTRONICS PLASTIC CO., LTD.  
 TEL:0769-86389901-2 FAX:0769-86389903



DATE: 2023.02.07

DRAWING NO. ZXS-25E1

REV. A01