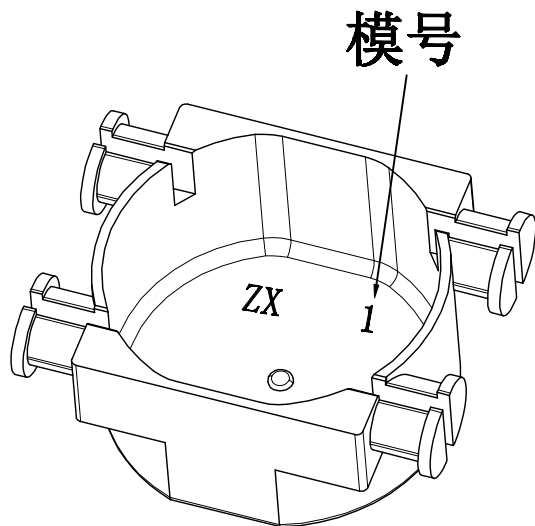
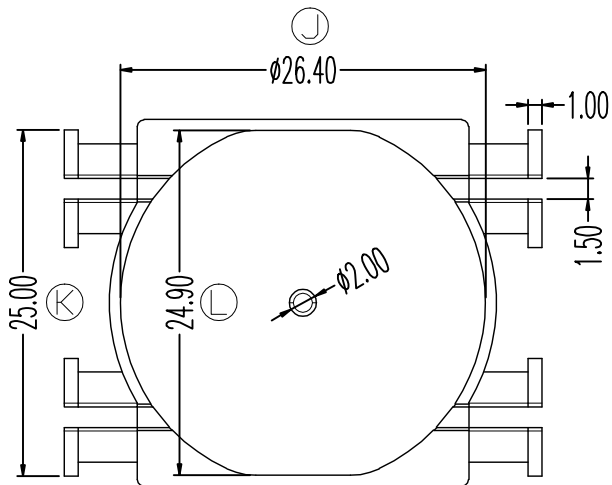
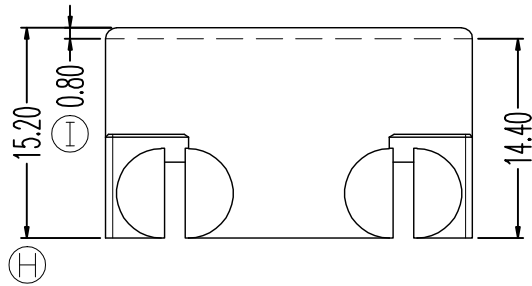
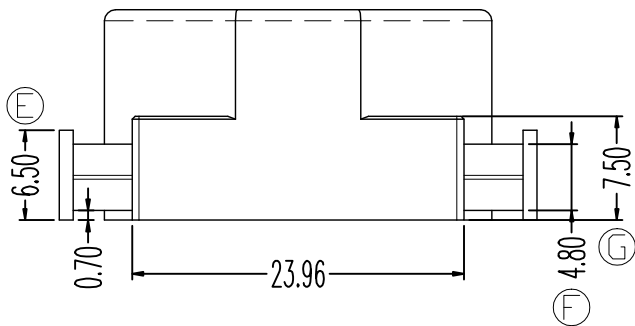
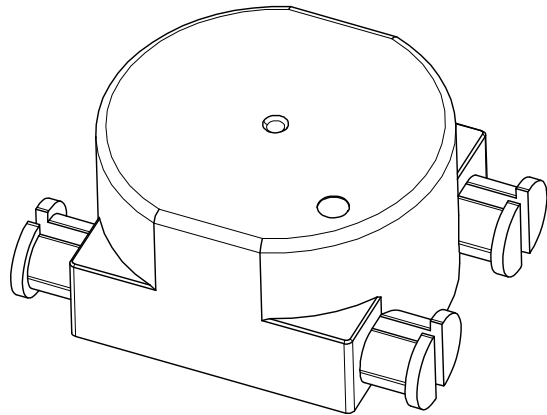
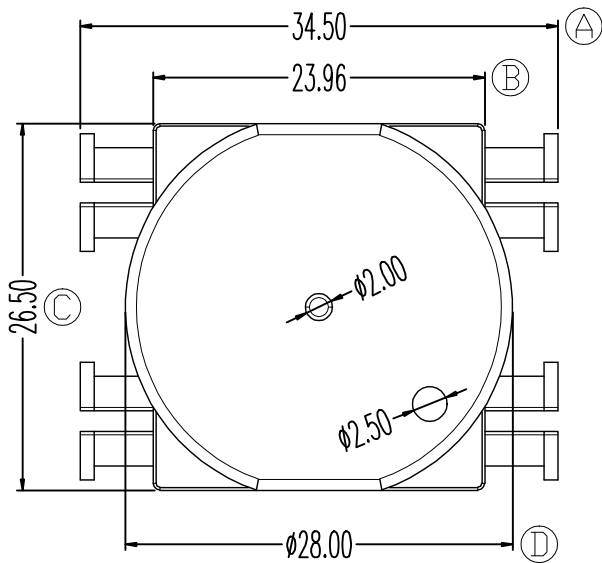


ZX-C083



REV.	REVISIONS	REC.	DATE	REV.	REVISIONS	REC.	DATE
1				4			
2				5			
3				6			

DRAWN & DRAFTED BY <b>LIU WEI QIANG</b>	TOLERANCES		ANGLE:	TITLE: <b>CASE</b>			
	0<L≤4 ±0.1	pin pitch ±0.2	±1°	BOBBIN MATERIAL: <b>PPS(BK)</b>		UL REC. <b>UL 94V-0</b>	
CHECKED & APPROVED BY <b>LIN JUN</b>	4<L≤16 ±0.2		UNIT:	PIN MATERIAL:		PIN TENSION LOAD:	
			MM				
SCALE:			DATE: <b>2022.12.27</b>		DRAWING NO. <b>ZX-C083</b>		REV. <b>A01</b>

**ZXE** 智信电子塑胶有限公司  
**ZHI XIN ELECTRONICS PLASTIC CO., LTD.**  
 TEL:0769-86389901-2 FAX:0769-86389903